



EXPAND-IT
ATTACHMENTS

OPERATOR'S MANUAL

MANUEL D'UTILISATION

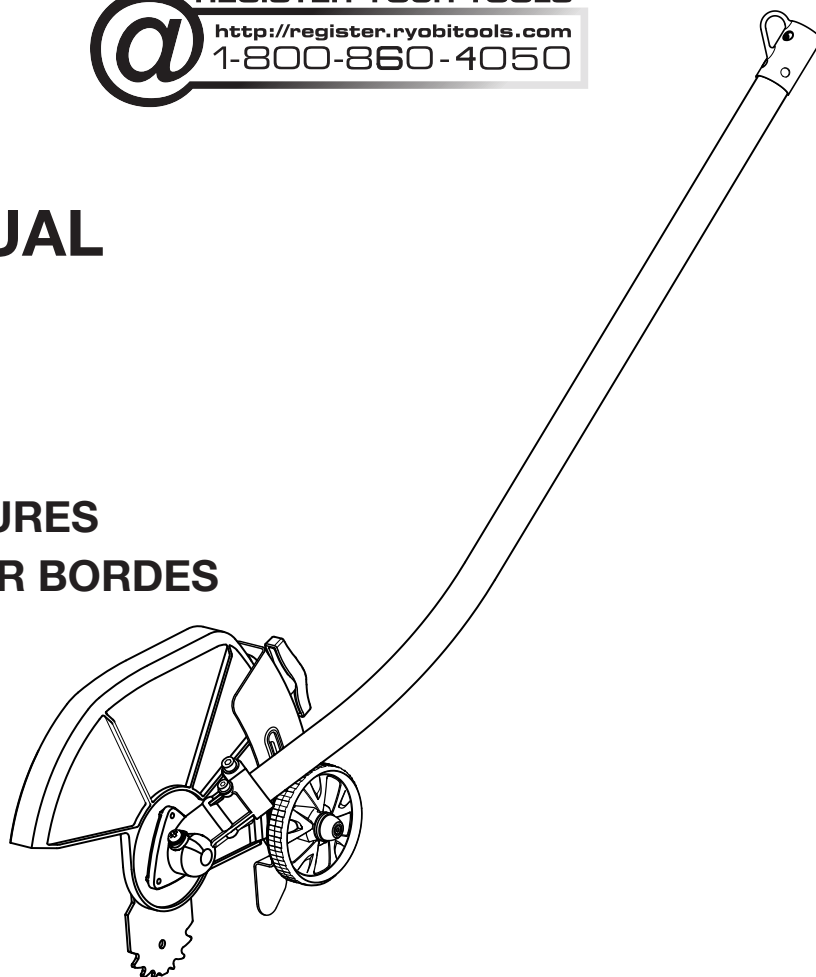
MANUAL DEL OPERADOR

EDGER ATTACHMENT

ACCESSOIRE COUPE-BORDURES

ACCESORIO PARA RECORTAR BORDES

RY15518



Your edger attachment has been engineered and manufactured to our high standard for dependability, ease of operation, and operator safety. When properly cared for, it will give you years of rugged, trouble-free performance.

⚠ WARNING: To reduce the risk of injury, the user must read and understand the operator's manual before using this product.

Thank you for your purchase.

SAVE THIS MANUAL FOR FUTURE REFERENCE

L'accessoire coupe-bordures a été conçue et fabriquée conformément à nos strictes normes de fiabilité, simplicité d'emploi et sécurité d'utilisation. Correctement entretenue, elle vous donnera des années de fonctionnement robuste et sans problème.

⚠ AVERTISSEMENT : Pour réduire les risques de blessures, l'utilisateur doit lire et veiller à bien comprendre le manuel d'utilisation avant d'employer ce produit.

Merci de votre achat.

**CONSERVER CE MANUEL POUR
FUTURE RÉFÉRENCE**

Su nuevo accesorio para recortar bordes ha sido diseñada y fabricada de conformidad con las estrictas normas para brindar fiabilidad, facilidad de uso y seguridad para el operador. Con el debido cuidado, le brindará muchos años de sólido y eficiente funcionamiento.

⚠ ADVERTENCIA: Para reducir el riesgo de lesiones, el usuario debe leer y comprender el manual del operador antes de usar este producto.

Le agradecemos su compra.

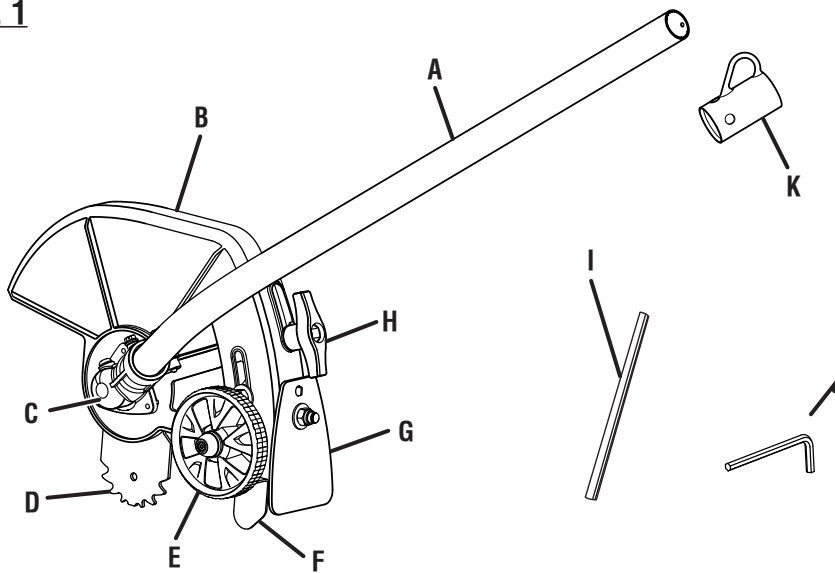
**GUARDE ESTE MANUAL PARA
FUTURAS CONSULTAS**

See this fold-out section for all of the figures referenced in the operator's manual.

Consulter l'encart à volets afin d'examiner toutes les figures mentionnées dans le manuel d'utilisation.

Consulte esta sección desplegable para ver todas las figuras a las que se hace referencia en el manual del operador.

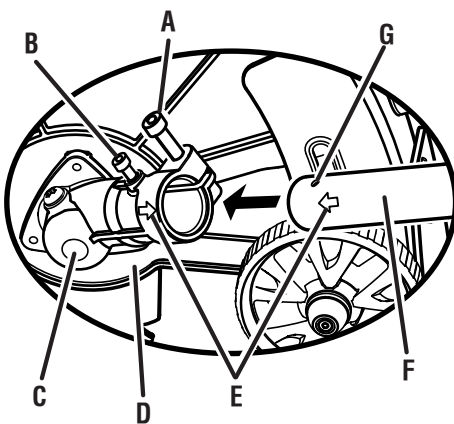
Fig. 1



- A - Edger attachment shaft (arbre de l'accessoire coupe-bordures, eje del accesorio para cortar bordes)
- B - Blade guard (garde de lame, protección de la cuchilla)
- C - Gear head (carter d'engrenages, cabezal de engranajes)
- D - Blade (lame, cuchilla)
- E - Guide wheel (roulette de guidage, rueda guía)

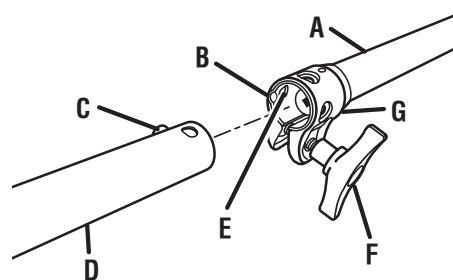
- F - Blade guide (guide de bordure, guía para bordillos)
- G - Debris flap (bavette à débris, aleta protectora)
- H - Adjusting knob (bouton de réglage, perilla de ajuste)
- I - Holding pin (axe de retenue, pasador de retención)
- J - Hex wrench (clé hex., llave hexagonal)
- K - Hanger cap (capuchon de suspension, tapa de brazo de suspensión)

Fig. 2



- A - Gear head screw (vis de carter d'engrenages, tornillo de cabezal de engranajes)
- B - Shaft screw (vis d'arbre, tornillo del eje)
- C - Gear head (carter d'engrenages, Cabezal de engranajes)
- D - Edger head (tête de coupe-bordures, cabeza de la recortadora de bordes)
- E - Arrows (flèches, flechas)
- F - Edger attachment shaft (arbre de l'accessoire coupe-bordures, eje del accesorio para cortar bordes)
- G - Hole (trou, agujero)

Fig. 3



- A - Power head shaft (arbre du bloc moteur, eje del cabezal motor)
- B - Guide recess (logement guide, hueco guía)
- C - Button (bouton, botón)
- D - Edger attachment (accessoire coupe-bordures, eje del accesorio para recortar bordes)
- E - Positioning hole (trou de positionnement, orificio de posicionamiento)
- F - Knob (bouton, perilla)
- G - Coupler (coupleur, acoplador)

Fig. 4

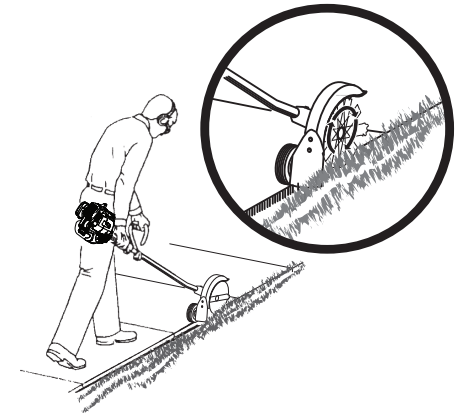
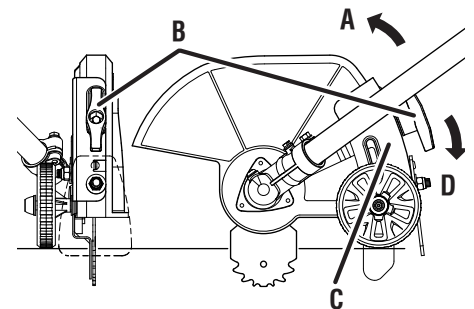
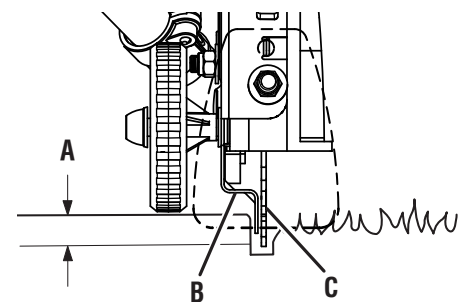


Fig. 5



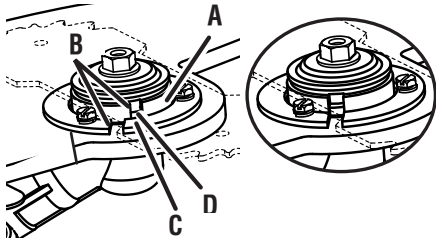
- A - To increase depth (pour augmenter la profondeur, para aumentar la profundidad)
- B - Adjusting knob (bouton de réglage, perilla de ajuste)
- C - Wheel arm (bras de roulette, brazo de la rueda)
- D - To decrease depth (pour réduire la profondeur, para disminuir la profundidad)

Fig. 6



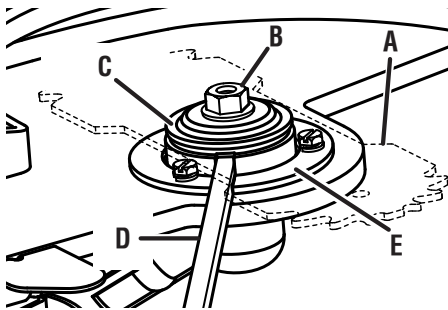
- A - To blade depth (profondeur de coupe, profundidad de la cuchilla)
- B - Curb guide (guide de bordure, guía para bordillos)
- C - Blade (lame, cuchilla)

Fig. 7



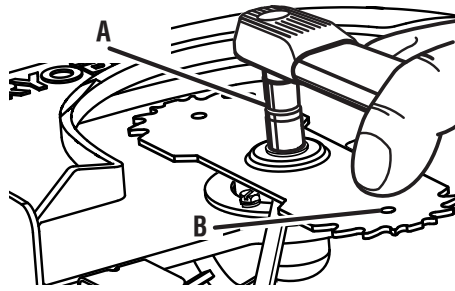
- A - Flange washer (rondelle de flasque, arandela de la brida)
B - Slots (fentes, ranuras)
C - Flange (flasque, brida)
D - Gear case (carter d'engrenages, caja de engranajes)

Fig. 8



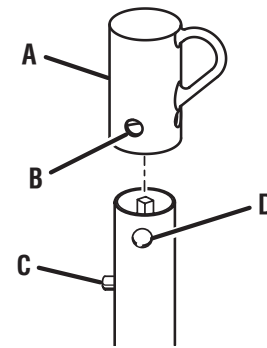
- A - Blade (lame, hoja)
B - Blade nut (écrou de lame, tuerca de la cuchilla)
C - Lower flange washer (rondelle de flasque inférieure, arandela de la brida inferior)
D - Holding pin inserted into aligned slots (broche de retenue insérée dans les fentes alignées, sujetando el pasador introducido en las ranuras alineadas)
E - Flange (flasque, brida)

Fig. 9



- A - 1/2 in. socket wrench (13 mm [1/2 po] clé à douilles, llave de boca tubular de 13 mm [1/2 pulg.])
B - Indicator hole (trou de l'indicateur, orificio indicador)

Fig. 10



- A - Hanger cap (capuchon de suspension, tapa de suspensión)
B - Hole (trou, orificio)
C - Button (bouton, botón)
D - Secondary hole (trou secondaire, orificio secundario)

TABLE OF CONTENTS

TABLE DES MATIÈRES / ÍNDICE DE CONTENIDO

■ Introduction	2
Introduction / Introducción	
■ General Safety Rules	3
Règles de sécurité générales / Reglas de seguridad generales	
■ Specific Safety Rules.....	4
Règles de sécurité particulières / Reglas de seguridad específicas	
■ Symbols.....	5
Symboles / Símbolos	
■ Features.....	6
Caractéristiques / Características	
■ Assembly	6-7
Assemblage / Armado	
■ Operation.....	7-8
Utilisation / Funcionamiento	
■ Maintenance	8
Entretien / Mantenimiento	
■ Warranty	9
Garantie / Garantía	
■ Illustrated Parts List.....	10-11
Liste des pièces illustrées / Lista de piezas ilustradas	
■ Parts Ordering and Service	Back Page
Commande de pièces et réparation / Pedidos de piezas y servicio	Page arrière / Pág. posterior

INTRODUCTION

INTRODUCTION / INTRODUCCIÓN

This product has many features for making its use more pleasant and enjoyable. Safety, performance, and dependability have been given top priority in the design of this product making it easy to maintain and operate.

* * *

Ce produit offre de nombreuses fonctions destinées à rendre son utilisation plus plaisante et satisfaisante. Lors de la conception de ce produit, l'accent a été mis sur la sécurité, les performances et la fiabilité, afin d'en faire un outil facile à utiliser et à entretenir.

* * *

Este producto ofrece numerosas características para hacer más agradable y placentero su uso. En el diseño de este producto se ha conferido prioridad a la seguridad, el desempeño y la fiabilidad, por lo cual se facilita su manejo y mantenimiento.

GENERAL SAFETY RULES



WARNING:

Read and understand all instructions. Failure to follow all instructions listed below may result in electric shock, fire, and/or serious personal injury.

SAVE THESE INSTRUCTIONS

- Read these instructions and the instructions for the power head thoroughly before using the edger attachment.
- Know the tool. Read and understand the operator's manual and observe the warnings and instruction labels affixed to the tool.
- Do not allow children or untrained individuals to use this unit.
- Always wear eye protection with side shields marked to comply with ANSI Z87.1, along with hearing protection when operating this unit.
- Wear heavy long pants, boots, and gloves. Do not wear loose fitting clothing, short pants, jewelry of any kind, sandals, or go barefoot.
- Secure long hair so it is above shoulder level to prevent entanglement in any moving parts.
- Keep all bystanders, children, and pets at least 50 ft. away.
- Stay alert, watch what you are doing, and use common sense when operating a power tool. Do not use tool while tired or under the influence of drugs, alcohol, or medication. A moment of inattention while operating power tools may result in serious personal injury.
- Do not operate in poor lighting.
- Do not overreach. Keep proper footing and balance at all times. Proper footing and balance enables better control of the tool in unexpected situations.
- Keep all parts of your body away from any moving part.
- Inspect unit before each use for loose fasteners and damaged or missing parts. Correct before using the edger attachment. Failure to do so can cause serious injury.
- Use only identical manufacturer's replacement parts and accessories. Use of any other parts may create a hazard or cause product damage.
- Do not, under any circumstance, use any attachment or accessory on this product, which was not provided with the product, or identified as appropriate for use with this product in the operator's manual.
- Avoid dangerous environments. Do not use the attachment in damp or wet locations. Do not use in rain.
- Use the right attachment. Do not use attachment for any job except that for which it is intended.

- Do not touch areas around the muffler or cylinder of a gas power head. These parts get hot from operation. Contact with hot surfaces could result in possible serious personal injury.
- Always stop the engine or motor and remove the spark plug wire or disconnect from the power supply before making any adjustments or repairs.

WHEN USING AN ELECTRIC POWER HEAD:

- Do not leave appliance when plugged in. Unplug from outlet when not in use and before servicing.
- Do not allow to be used as a toy. Close attention is necessary when used by or near children.
- Use only as described in this manual. Use only manufacturer's recommended attachments.
- Do not use with damaged cord or plug. If appliance is not working as it should, has been dropped, damaged, left outdoors, or dropped into water, return it to a service center.
- Do not pull or carry by cord, use cord as a handle, close a door on cord, or pull cord around sharp edges or corners. Do not run appliance over cord. Keep cord away from heated surfaces.
- Do not unplug by pulling on cord. To unplug, grasp the plug, not the cord.
- Do not handle plug or appliance with wet hands.
- Do not put any object into openings. Do not use with any opening blocked; keep free of dust, lint, hair, and anything that may reduce air flow.
- Keep hair, loose clothing, fingers, and all parts of body away from openings and moving parts.
- Turn off all controls before unplugging.
- This appliance is provided with double insulation. Use only identical replacement parts. See Instructions for Servicing of Double-Insulated Appliances.
- **SERVICING OF DOUBLE-INSULATED APPLIANCES.** A double-insulated appliance is marked with one or more of the following: The words "DOUBLE INSULATION" or "DOUBLE INSULATED" or the double insulation symbol  (square within a square). In a double-insulated appliance, two systems of insulation are provided instead of grounding. No grounding means is provided on a double-insulated appliance, nor should a means for grounding be added to the appliance. Servicing a double-insulated appliance requires extreme care and knowledge of the system, and should be done only by qualified service personnel. Replacement parts for a double-insulated appliance must be identical to the parts they replace.

SPECIFIC SAFETY RULES




- Check the work area before each use. Remove all objects such as rocks, broken glass, nails, wire, or string which can be thrown or become entangled in the edger blade.
- Be sure all guards are properly and securely attached.
- Replace dull or worn blade; do not attempt to sharpen.
- Use this edger for edging along sidewalks, driveways, flower beds, and similar areas. Do not use for any other purpose.
- Be thoroughly familiar with the controls. Know how to stop the unit and disengage the controls quickly.
- Do not use the edger on or near graveled surfaces.
- Make yourself familiar with the area you are edging. Be aware of uneven sidewalks and holes in the terrain as well as other similar hazardous conditions (example: wire or wire rope which can break off and become a dangerous projectile). Always push the edger attachment slowly over rough ground.
- Do not attempt to remove cut material nor hold material to be cut when the engine is running or when the cutting blade is moving.
- Keep hands and feet away from the cutting area.
- Always keep your right hand on the rear handle and your left hand on the front handle when the blade is rotating.
- A coasting blade can cause injury while it continues to spin after the engine is stopped or throttle trigger released. Maintain proper control until the blade has completely stopped rotating.
- Check blade nut for tightness before operating the attachment.
- Improper assembly can create a dangerous situation.
- Never stand or have any part of your body in line with the path of the edger blade.
- If the edger strikes any type of foreign object:
 - a) Stop the edger and remove the spark plug wire or disconnect from the power supply.
 - b) Inspect for damage to the edger attachment.
 - c) Correct damage before using the edger attachment. Failure to do so can cause serious injury.
- Always stop the engine or motor and remove the spark plug wire or disconnect from the power supply before attempting to remove any obstruction caught or jammed in the blade, installing attachment, or making any adjustments.
- Store Idle Appliance Indoors — When not in use, product should be stored indoors in a dry and high or locked up place—out of the reach of children.
- Save these instructions. Refer to them frequently and use them to instruct others who may use this product. If you loan someone this product, loan them these instructions also to prevent misuse of the product and possible injury.

NOTE: SEE YOUR POWER HEAD OPERATOR'S MANUAL FOR ADDITIONAL SPECIFIC SAFETY RULES.








SAVE THESE INSTRUCTIONS

SYMBOLS

The following signal words and meanings are intended to explain the levels of risk associated with this product.

SYMBOL	SIGNAL	MEANING
	DANGER:	Indicates an imminently hazardous situation, which, if not avoided, will result in death or serious injury.
	WARNING:	Indicates a potentially hazardous situation, which, if not avoided, could result in death or serious injury.
	CAUTION:	Indicates a potentially hazardous situation, which, if not avoided, may result in minor or moderate injury.
	CAUTION:	(Without Safety Alert Symbol) Indicates a situation that may result in property damage.

Some of the following symbols may be used on this product. Please study them and learn their meaning. Proper interpretation of these symbols will allow you to operate the product better and safer.

SYMBOL	NAME	EXPLANATION
	Safety Alert Symbol	Precautions that involve your safety.
	Read Operator's Manual	To reduce the risk of injury, user must read and understand operator's manual before using this product.
	Wear Eye and Hearing Protection	Always wear eye protection with side shields marked to comply with ANSI Z87.1 as well as hearing protection when operating this equipment.
	Keep Bystanders Away	Keep all bystanders at least 50 ft. away.
	Ricochet	Thrown objects can ricochet and result in personal injury or property damage.
	Sharp Blade	Danger - Keep hands and feet away from blade.
	No Hands Symbol	Failure to keep hands and feet away from the blade will result in serious personal injury.

FEATURES

PRODUCT SPECIFICATIONS

Weight4 lbs.
Blade Length 9 in.
Edging Depth.....Adjustable from 1/2 in. to 2-3/4 in.

KNOW YOUR EDGER ATTACHMENT

See Figure 1.

The safe use of this product requires an understanding of the information on the product and in this operator's manual as well as a knowledge of the project you are attempting. Before use of this product, familiarize yourself with all operating features and safety rules.

ASSEMBLY

UNPACKING

This product requires assembly.

- Carefully remove the items from the box. Make sure that all items listed in the packing list are included.

WARNING:

Do not use this product if any parts on the Packing List are already assembled to your product when you unpack it. Parts on this list are not assembled to the product by the manufacturer and require customer installation. Use of a product that may have been improperly assembled could result in serious personal injury.

- Inspect the product carefully to make sure no breakage or damage occurred during shipping.
- Do not discard the packing material until you have carefully inspected and satisfactorily operated the tool.
- If any parts are damaged or missing, please call 1-800-860-4050 for assistance.

PACKING LIST

Edger Head
Edger Attachment Shaft
Holding Pin
Hex Wrench
Operator's Manual

WARNING:

If any parts are damaged or missing do not operate this product until the parts are replaced. Use of this product with damaged or missing parts could result in serious personal injury.

WARNING:

Do not attempt to modify this product or create accessories not recommended for use with this product. Any such alteration or modification is misuse and could result in a hazardous condition leading to possible serious personal injury.

WARNING:

Do not connect to power head until assembly is complete. Failure to comply could result in accidental starting and possible serious personal injury.

JOINING THE EDGER ATTACHMENT TO THE ATTACHMENT SHAFT

See Figure 2.

This product requires a one one-time assembly of the edger head to the attachment shaft.

- Remove rubber end cap from edger attachment shaft before installing.
- Install the edger attachment shaft into opening on the gear head so that the hole on the top of the attachment shaft lines up with the shaft screw. Be sure the arrows on the gear head and the edger attachment shaft meet.
- Tighten the shaft screw into the hole on the edger attachment shaft.

NOTE: When the screw is properly installed the screw head will be completely seated against the casting. If this is not the case, the screw is not installed properly.

- Tighten securely by turning the gear head screw to clamp gear head around shaft.

NOTE: When fully secure, the shaft cannot be rotated.

ASSEMBLY

JOINING THE POWER HEAD TO THE EDGER ATTACHMENT

See Figure 3.

WARNING:

Never attach or adjust any attachment while power head is running. Failure to stop the engine or motor may cause serious personal injury.

The edger attachment connects to the power head by means of a coupler device.

- Remove the spark plug wire or disconnect from the power supply.
- Remove the hanger cap from the attachment.
- Loosen the knob on the coupler of the power head shaft.
- Push in the button located on the edger attachment. Align the button with the guide recess on the power head coupler and slide the two shafts together. Rotate attachment shaft until button locks into the positioning hole.

NOTE: If the button does not release completely in the positioning hole, the shaft is not locked into place. Slightly rotate from side to side until the button is locked into place.

- Tighten the knob securely.

WARNING:

Be certain the knob is fully tightened before operating equipment. Check it periodically for tightness during use to avoid serious injury.

REMOVING THE ATTACHMENT FROM THE POWER HEAD

- Stop the engine or motor and remove the spark plug wire or disconnect from the power supply.
- Stop the engine or motor.
- Loosen the knob.
- Push in the button and twist the shafts to remove and separate ends.

OPERATION

WARNING:

Do not allow familiarity with this product to make you careless. Remember that a careless fraction of a second is sufficient to inflict serious injury.

WARNING:

Always wear eye protection with side shields marked to comply with ANSI Z87.1, along with hearing protection. Failure to do so could result in objects being thrown into your eyes and other possible serious injuries.

WARNING:

Do not use any attachments or accessories not recommended by the manufacturer of this product. The use of attachments or accessories not recommended can result in serious personal injury.

APPLICATIONS

You may use this product for the purpose listed below:

- Edging around walkways, curbing, flower beds and other similar areas.

USING THE EDGER ATTACHMENT

See Figure 4.

When using the edger attachment, hold the unit with your right hand on the rear handle and your left hand on the front handle. Keep a firm grip with both hands while in operation. The edger should be held at a comfortable position with the rear handle about hip height.

NOTE: When used with a gas power head, always operate at full throttle. Prolonged cutting at partial throttle will result in oil dripping from the muffler.

ADJUSTING DEPTH OF CUT

See Figures 5 - 6.

- Stop the engine or motor and remove the spark plug wire or disconnect from the power supply.
- Loosen the adjusting knob and move the wheel arm up to increase the depth or down to decrease the depth.
- After adjustment is complete, tighten the adjusting knob securely.
- Replace the spark plug wire or connect to the power supply and start the unit.

NOTE: Adjust the blade depth from 1/2 in. to 1 in. deep initially. Make a shallow cut to test the cutting depth. If the cutting depth needs adjusting, this should be done progressively until the desired depth is reached.

OPERATION

OPERATING TIPS

- The edger will edge along sidewalks, driveways, flowerbeds, curbs, and similar areas.
- Use the arrow guide on the blade guard to align the blade with the edging surface.
- Cut at a steady pace. If the blade begins to bog down, you are edging too fast; slow your pace. Do not force the blade into ground.

- Light contact of the blade against the sidewalk edge, curb, etc., is acceptable and will not damage the edger.
- Best appearance is obtained when grass is dry. Avoid edging in wet soil or wet grass areas or the blade guard might clog and result in an uneven edge. If the blade guard becomes clogged, stop the engine, remove the spark plug wire or disconnect from the power supply, and remove debris from the blade guard.

MAINTENANCE

WARNING:

When servicing, use only identical replacement parts. Use of any other parts may create a hazard or cause product damage.

WARNING:

Always wear eye protection with side shields marked to comply with ANSI Z87.1, along with hearing protection. Failure to do so could result in objects being thrown into your eyes and other possible serious injuries.

WARNING:

Before inspecting, cleaning, or servicing the machine, shut off engine or motor, wait for all moving parts to stop, and disconnect spark plug wire and move it away from spark plug or disconnect from power supply. Failure to follow these instructions can result in serious personal injury or property damage.

GENERAL MAINTENANCE

Avoid using solvents when cleaning plastic parts. Most plastics are susceptible to damage from various types of commercial solvents and may be damaged by their use. Use clean cloths to remove dirt, dust, oil, grease, etc.

WARNING:

Do not at any time let brake fluids, gasoline, petroleum-based products, penetrating oils, etc., come in contact with plastic parts. Chemicals can damage, weaken or destroy plastic which may result in serious personal injury.

You can often make adjustments and repairs described here. For other repairs, have the tool serviced by an authorized service dealer.

REPLACING THE BLADE

See Figures 7 - 9.

Replace blades when worn down to indicator hole on blade.

- Stop the engine or motor and remove the spark plug wire or disconnect from the power supply.
- Align the slot in the flange washer and gear case with the slot in the flange; place the holding pin through all three slots to secure in place.
- Using a 1/2 in. socket wrench, turn the blade nut clockwise to loosen.
- Remove the old blade from the edger shaft.
- Clean debris from the edger shaft and flange washers.
- Center the new blade on the flange washer, making sure the blade sits flat.
- Install the cupped washer with the hole off of the blade surface.
- Install the blade nut onto the edger shaft.
- Using a 1/2 inch socket wrench, turn the blade nut counterclockwise onto the edger shaft and tighten securely.
- This replacement part is available from the place of purchase, or by calling 1-800-860-4050.

NOTE: Always make sure the blade is correctly installed and securely fastened before each use.

ATTACHING THE STORAGE HANGER

See Figure 10.

There are two ways to hang the attachment for storage.

- To use the hanger cap, push in the button and place the hanger cap over the end of the attachment shaft. Slightly rotate the cap from side to side until the button locks into place.
- The secondary hole in the attachment shaft can be used for hanging purposes as well.

STORING THE ATTACHMENT

- Store the attachment indoors in a dry, well-ventilated place that is inaccessible to children.
- Keep away from corrosive agents such as garden chemicals and de-icing salts.

WARRANTY

LIMITED WARRANTY STATEMENT

Techtronic Industries North America, Inc., warrants to the original retail purchaser that this RYOBI® brand outdoor product is free from defect in material and workmanship and agrees to repair or replace, at Techtronic Industries North America, Inc.'s, discretion, any defective product free of charge within these time periods from the date of purchase.

- Three years if the product is used for personal, family or household use;
- 90 days, if used for any other purpose, such as commercial or rental.

This warranty extends to the original retail purchaser only and commences on the date of the original retail purchase.

Any part of this product found in the reasonable judgment of Techtronic Industries North America, Inc. to be defective in material or workmanship will be repaired or replaced without charge for parts and labor by an authorized service center for RYOBI® brand outdoor products (Authorized Ryobi Service Center).

The product, including any defective part, must be returned to an authorized Ryobi service center within the warranty period. The expense of delivering the product to the service center for warranty work and the expense of returning it back to the owner after repair or replacement will be paid by the owner. Techtronic Industries North America, Inc.'s, responsibility in respect to claims is limited to making the required repairs or replacements and no claim of breach of warranty shall be cause for cancellation or rescission of the contract of sale of any RYOBI® brand outdoor product. Proof of purchase will be required by the dealer to substantiate any warranty claim. All warranty work must be performed by an authorized service dealer.

This warranty is limited to ninety (90) days from the date of original retail purchase for any RYOBI® brand outdoor product that is used for rental or commercial purposes, or any other income-producing purpose.

This warranty does not cover any product that has been subject to misuse, neglect, negligence, or accident, or that has been operated in any way contrary to the operating instructions as specified in this operator's manual. This warranty does not apply to any damage to the product that is the result of improper maintenance or to any product that has been altered or modified. The warranty does not extend to repairs made necessary by normal wear or by the use of parts or accessories which are either incompatible with the RYOBI® brand outdoor product or adversely affect its operation, performance, or durability. In addition, this warranty does not cover:

- A. Tune-ups – Spark Plugs, Carburetor, Carburetor Adjustments, Ignition, Filters
- B. Wear items – Bump Knobs, Outer Spools, Cutting Lines, Inner Reels, Starter Pulleys, Starter Ropes, Drive Belts, Tines, Felt Washers, Hitch Pins, Mulching Blades, Blower Fans, Blower and Vacuum Tubes, Vacuum Bag and Straps, Guide Bars, Saw Chains

Techtronic Industries North America, Inc., reserves the right to change or improve the design of any RYOBI® brand outdoor product without assuming any obligation to modify any product previously manufactured.

ALL IMPLIED WARRANTIES ARE LIMITED IN DURATION TO THE STATED WARRANTY PERIOD. ACCORDINGLY, ANY SUCH IMPLIED WARRANTIES INCLUDING MERCHANTABILITY, FITNESS FOR A PARTICULAR PURPOSE, OR OTHERWISE, ARE DISCLAIMED IN THEIR ENTIRETY AFTER THE EXPIRATION OF THE APPROPRIATE THREE-YEAR OR NINETY-DAY WARRANTY PERIOD. TECHTRONIC INDUSTRIES NORTH AMERICA, INC.'S, OBLIGATION UNDER THIS WARRANTY IS STRICTLY AND EXCLUSIVELY LIMITED TO THE REPAIR OR REPLACEMENT OF DEFECTIVE PARTS AND TECHTRONIC INDUSTRIES NORTH AMERICA, INC., DOES NOT ASSUME OR AUTHORIZE ANYONE TO ASSUME FOR THEM ANY OTHER OBLIGATION. SOME STATES DO NOT ALLOW LIMITATIONS ON HOW LONG AN IMPLIED WARRANTY LASTS, SO THE ABOVE LIMITATION MAY NOT APPLY TO YOU. TECHTRONIC INDUSTRIES NORTH AMERICA, INC., ASSUMES NO RESPONSIBILITY FOR INCIDENTAL, CONSEQUENTIAL, OR OTHER DAMAGES INCLUDING, BUT NOT LIMITED TO, EXPENSE OF RETURNING THE PRODUCT TO AN AUTHORIZED RYOBI SERVICE CENTER AND EXPENSE OF DELIVERING IT BACK TO THE OWNER, MECHANIC'S TRAVEL TIME, TELEPHONE OR TELEGRAM CHARGES, RENTAL OF A LIKE PRODUCT DURING THE TIME WARRANTY SERVICE IS BEING PERFORMED, TRAVEL, LOSS OR DAMAGE TO PERSONAL PROPERTY, LOSS OF REVENUE, LOSS OF USE OF THE PRODUCT, LOSS OF TIME, OR INCONVENIENCE. SOME STATES DO NOT ALLOW THE EXCLUSION OR LIMITATION OF INCIDENTAL OR CONSEQUENTIAL DAMAGES, SO THE ABOVE LIMITATION OR EXCLUSION MAY NOT APPLY TO YOU.

This warranty gives you specific legal rights, and you may also have other rights which vary from state to state.

This warranty applies to all RYOBI® brand outdoor products manufactured by or for Techtronic Industries North America, Inc., and sold in the United States and Canada.

To locate your nearest Authorized Ryobi Service Center, dial 1-800-860-4050.

RÈGLES DE SÉCURITÉ GÉNÉRALES

AVERTISSEMENT :


Lire et veiller à bien comprendre toutes les instructions.
Le non-respect de toutes les instructions ci-dessous peut entraîner un choc électrique, un incendie et/ou des blessures graves.

CONSERVER CES INSTRUCTIONS

- Lire attentivement ces instructions et celles du moteur avant d'utiliser cet accessoire.
- Apprendre à connaître l'outil. Lire et veiller à bien comprendre le manuel de l'opérateur et observer les avertissements et les instructions des autocollants apposés sur l'outil.
- Ne pas laisser des enfants ou des personnes n'ayant pas reçu une formation adéquate utiliser cet outil.
- Pour utiliser cet outil, toujours porter une protection oculaire avec écrans latéraux certifiée conforme à la norme ANSI Z87.1, avec protection auditive.
- Porter des pantalons longs, des chaussures de travail et des gants épais. Ne pas porter de vêtements amples, shorts, bijoux quels qu'ils soient, des sandales et ne pas travailler pieds nus.
- Attacher les cheveux longs pour les maintenir au-dessus des épaules, afin qu'ils ne se prennent pas dans les pièces en mouvement.
- Garder les badauds, enfants et animaux domestiques à une distance minimum de 15 m (50 pi).
- Rester attentif, prêter attention au travail et faire preuve de bon sens lors de l'utilisation de tout outil électrique. Ne pas utiliser cet outil en état de fatigue ou sous l'influence d'alcool, de drogues ou de médicaments. Un moment d'inattention pendant l'utilisation d'un outil électrique peut entraîner des blessures graves.
- Ne pas travailler sous un éclairage insuffisant.
- Ne pas travailler hors de portée. Toujours se tenir bien campé et en équilibre. Des pieds bien campés et un bon équilibre permettent de mieux contrôler l'outil en cas de situation imprévue.
- Garder toutes les parties du corps à l'écart des pièces en mouvement.
- Inspecter l'appareil avant chaque utilisation pour s'assurer qu'il n'y a pas de fixations desserrées ou de pièces endommagées ou manquantes. Effectuer les corrections requises avant d'utiliser l'accessoire coupe-bordures. Ne pas prendre cette précaution peut entraîner des risques de blessures graves.
- Utiliser exclusivement des pièces de rechange et accessoires d'origine. L'usage de toute autre pièce pourrait créer une situation dangereuse ou endommager l'outil.
- N'utiliser en aucun cas un accessoire ou un outil non fourni avec le produit, ou non indiqué comme pouvant être utilisé sur l'outil dans le manuel d'utilisation.
- Éviter les environnements dangereux. Ne pas utiliser l'accessoire dans des endroits humides ou mouillés. Ne pas utiliser sous la pluie.
- Utiliser l'accessoire approprié. Ne pas utiliser l'accessoire dans une application pour laquelle il n'a pas été prévu.

- Ne pas toucher les alentours de l'échappement ou du cylindre de l'ensemble moteur à essence. Ces pièces deviennent très chaudes en cours de fonctionnement. Le contact avec des surfaces brûlantes pourrait entraîner des blessures graves.
- Toujours arrêter le moteur et débrancher le fil de la bougie ou débrancher de la prise secteur avant d'effectuer tout entretien ou réglage.

AU MOMENT D'UTILISER UN ENSEMBLE MOTEUR ÉLECTRIQUE :

- Ne pas laisser l'appareil branché sans surveillance; le débrancher lorsqu'il n'est pas utilisé et avant de procéder à son entretien.
- Cet appareil n'est pas un jouet. Porter une attention particulière en présence d'enfants.
- Utiliser le produit tel que décrit dans le présent manuel. Utiliser uniquement des accessoires recommandés par le fabricant.
- Ne pas utiliser l'appareil si le cordon ou la fiche est endommagé. Si l'appareil ne fonctionne pas correctement, s'il a été échappé, s'il est endommagé ou s'il est tombé dans l'eau, envoyez le au centre de réparations.
- Ne pas tirer l'appareil ou le transporter par le cordon d'alimentation, ne pas utiliser le cordon comme poignée ou fermer une porte sur ce dernier, ni le faire longer des arêtes tranchantes ou des coins. Ne pas faire fonctionner l'appareil audessus du cordon. Tenir le cordon d'alimentation éloigné des surfaces brûlantes.
- Ne pas débrancher l'appareil en tirant sur le cordon. Tirer plutôt sur la fiche.
- Ne pas manipuler la fiche ou l'appareil avec les mains mouillées.
- Ne placer aucun objet dans les ouvertures. Ne pas utiliser le produit si l'une ou l'autre des ouvertures est obstruée. Enlever toute la poussière, toutes les peluches et tous les cheveux, ou tout autre élément pouvant réduire la circulation de l'air.
- Garder les cheveux, les vêtements amples, les doigts ainsi que toutes les parties du corps à l'écart des ouvertures et des pièces en mouvement.
- Si l'appareil n'est pas utilisé, mettre les commandes à la position d'arrêt avant de le débrancher.
- Garder les cheveux, les vêtements amples, les doigts ainsi que toutes les parties du corps à l'écart des ouvertures et des pièces en mouvement.
- **ENTRETIEN DES APPAREILS À DOUBLE ISOLATION.**
Les mots « DOUBLE ISOLATION » ou le symbole de la double isolation (un carré dans un autre carré)  sont indiqués sur les appareils à double isolation. Un appareil à double isolation comporte deux systèmes d'isolation au lieu d'un système de mise à la terre. Aucun appareil à double isolation ne comprend ni ne requiert de dispositif de mise à la terre. La réparation d'un appareil à double isolation exige des précautions extrêmes et une bonne connaissance du système; c'est pourquoi elle doit être confiée à un technicien qualifié. Utiliser exclusivement des pièces de remplacement identiques à celles d'origine.

RÈGLES DE SÉCURITÉ PARTICULIÈRES




- Déblayer la zone de travail avant chaque utilisation. La débarrasser de tous les objets tels que cailloux, verre brisé, clous, fils métalliques, cordes, etc., risquant d'être projetés ou de se prendre dans la lame du coupe- bordures.
- S'assurer que tous les dispositifs de protection sont correctement et solidement fixés.
- Remplacer les lames émoussées ou usées; ne pas tenter de les affûter.
- Ce coupe-bordures permet d'effectuer la finition des trottoirs, allées et massifs de fleurs. Ne pas l'utiliser pour d'autres applications.
- Bien se familiariser avec les commandes. Savoir arrêter l'appareil et débrayer rapidement l'entraînement.
- Ne pas utiliser le coupe-bordures sur ou à proximité de surfaces gravillonnées.
- Se familiariser avec le terrain sur lequel sont effectuées les finitions. Faire attention aux trottoirs irréguliers et aux trous dans le terrain ainsi qu'aux autres situations présentant un danger semblable (exemple : ne jamais utiliser de fil ou câble métallique qui pourrait se briser et devenir un projectile dangereux). Toujours pousser lentement l'accessoire coupe-border sur les terrains irréguliers.
- Ne pas essayer de retirer de l'herbe coupée de l'outil ou de tenir l'herbe à couper lorsque le moteur tourne ou la lame est en rotation.
- Garder la lame tournante loin des mains et des pieds.
- Lorsque la lame est en rotation, toujours tenir l'outil avec la main droite sur la poignée arrière et la main gauche sur la poignée avant.
- Une lame continuant de tourner au débrayé une fois que le moteur est arrêté et la gâchette relâchée peut causer des blessures. Garder le contrôle de l'outil jusqu'à ce que la lame soit complètement immobilisée.
- S'assurer que l'écrou de lame est serré solidement avant d'utiliser l'accessoire.
- Un assemblage inadéquat peut entraîner une situation dangereuse.
- Ne jamais se tenir vis-à-vis du chemin de coupe et garder toutes les parties du corps à l'écart de celui-ci.
- Si le coupe-bordures cogne un objet quelconque :
 - a) Arrêter le coupe-bordure et débrancher le fil de la bougie ou débrancher de la prise secteur.
 - b) Inspecter le coupe-bordures pour voir s'il est endommagé.
 - c) Effectuer les corrections requises avant d'utiliser l'accessoire coupe-bordures. Ne pas prendre cette précaution peut entraîner des risques de blessures graves.
- Toujours éteindre le moteur et débrancher le fil de la bougie ou débrancher de la prise secteur avant d'essayer de retirer des objets pris dans la lame ou la bloquant, avant d'installer la lame ou avant d'effectuer tout réglage.
- Entreposer ce outil à l'intérieur – Quand l'outil n'est pas utilisé, il devrait être entreposé à l'intérieur, dans un endroit sec ou haut c'est sécuritaire – hors de la portée des enfants.
- Conserver ces instructions. Les consulter fréquemment et les utiliser pour instruire les autres utilisateurs éventuels. Si cet outil est prêté, il doit être accompagné de ces instructions, afin d'éviter un usage incorrect et d'éventuelles blessures.

NOTE : CONSULTEZ LE MANUEL D'UTILISATION DE BLOC MOTEUR POUR DE TÊTE POUR DES SUPPLEMENTAIRE RÈGLES DE SÉCURITÉ PARTICULIÈRES.








CONSERVER CES INSTRUCTIONS

SYMBOLES

Les termes de mise en garde suivants et leur signification ont pour but d'expliquer le degré de risques associé à l'utilisation de ce produit.

SYMBOLE	SIGNAL	SIGNIFICATION
	DANGER :	Indique une situation extrêmement dangereuse qui, si elle n'est pas évitée, aura pour conséquences des blessures graves ou mortelles.
	AVERTISSEMENT :	Indique une situation potentiellement dangereuse qui, si elle n'est pas évitée, pourrait entraîner des blessures graves ou mortelles.
	ATTENTION :	Indique une situation potentiellement dangereuse qui, si elle n'est pas évitée, pourrait entraîner des blessures légères ou de gravité modérée.
	ATTENTION :	(Sans symbole d'alerte de sécurité) Indique une situation pouvant entraîner des dommages matériels.

Certains des symboles ci-dessous peuvent être présents sur la produit. Veiller à les étudier et à apprendre leur signification. Une interprétation correcte de ces symboles permettra d'utiliser la produit plus efficacement et de réduire les risques.

SYMBOLE	NOM	EXPLICATION
	Symbole d'alerte de sécurité	Précautions destinées à assurer la sécurité.
	Lire le manuel d'utilisation	Pour réduire les risques de blessures, l'utilisateur doit lire et veiller à bien comprendre le manuel d'utilisation avant d'utiliser ce produit.
	Porter une protection oculaire et auditive	Toujours porter une protection oculaire avec écrans latéraux certifiée conforme à la norme ANSI Z87.1, ainsi qu'une protection auditive lors de l'utilisation de cet outil.
	Ne laisser personne s'approcher	Ne jamais laisser quiconque se tenir à moins de 15 m (50pi) de l'outil.
	Danger de ricochet	Ne pas utiliser le coupe-bourdures sans le protecteur. Rester éloigné de la tête de coupe rotative.
	Coupe-fil tranchant	Pour éviter de graves blessures, ne pas toucher au coupe-fil tranchant.
	Symbole Garder les mains à l'écart	Le non respect de cette mise en garde peut entraîner des blessures graves.

CARACTÉRISTIQUES

FICHE TECHNIQUE

Poids 1,8 kg (4 lb)
Longueur de lame228,6 mm (9 po)
Profondeur de chant..... Adjustable entre 13 mm et 70 mm (1/2 po et 2-3/4 po)

APPRENDRE À CONNAÎTRE L'ACCESSOIRE COUPE-BORDURES

Voir la figure 1.

L'utilisation sûre de ce produit exige une compréhension des renseignements figurant sur l'outil et contenus dans le manuel d'utilisation, ainsi qu'une bonne connaissance du projet entrepris. Avant d'utiliser ce produit, se familiariser avec toutes ses caractéristiques et règles de sécurité.

ASSEMBLAGE

DÉBALLAGE

Ce produit doit être assemblé.

- Retirer soigneusement les articles du carton. S'assurer que toutes les pièces figurant sur la liste de contrôle sont incluses.

AVERTISSEMENT :

Ne pas utiliser le produit si, en le déballant, vous constatez que des éléments figurant dans la Liste de contrôle d'expédition sont déjà assemblés. Certaines pièces figurant sur cette liste n'ont pas été assemblées par le fabricant et exigent une installation. Le fait d'utiliser un produit qui a été assemblé de façon inadéquate peut entraîner des blessures.

- Examiner soigneusement produit pour s'assurer que rien n'a été brisé ou endommagé en cours de transport.
- Ne pas jeter les matériaux d'emballage avant d'avoir soigneusement examiné l'outil et vérifié qu'il fonctionne correctement.
- Si des pièces sont manquantes ou endommagées, appeler le 1-800-860-4050.

LISTE DE CONTRÔLE D'EXPÉDITION

Tête de coupe-bordures

Arbre de l'accessoire coupe-bordures

Axe de retenue

Clé hex.

Manuel d'utilisation

AVERTISSEMENT :

Si des pièces manquent ou sont endommagées, ne pas utiliser ce produit avant qu'elles aient été remplacées. Le fait d'utiliser ce produit même s'il contient des pièces endommagées ou s'il lui manque des pièces peut entraîner des blessures graves.

AVERTISSEMENT :

Ne pas essayer de modifier ce produit ou de créer des accessoires non recommandés pour le produit. De telles altérations ou modifications sont considérées comme un usage abusif et peuvent créer des conditions dangereuses, risquant d'entraîner des blessures graves.

AVERTISSEMENT :

Ne pas brancher sur le bloc-moteur avant d'avoir terminé l'assemblage. Le non-respect de cet avertissement peut causer un démarrage accidentel, entraînant des blessures graves.

FIXATION DE L'ACCESSOIRE COUPE-BORDURES SUR L'ARBRE

Voir la figure 2.

Une seule opération suffit pour fixer la tête du coupe-bordures sur l'arbre de l'accessoire.

- Retirer le bouchon d'extrémité en caoutchouc de l'arbre de l'accessoire coupe-bordures avant de procéder à l'installation.
- Installer l'arbre de l'accessoire coupe-bordures dans l'ouverture du carter d'engrenages de manière à ce que le trou à l'extrémité de l'arbre soit aligné avec la vis de l'arbre. S'assurer que les flèches se trouvant sur la tête motrice et l'arbre de l'accessoire coupe bordures se rencontrent.
- Serrer la vis de l'arbre dans le trou se trouvant sur l'arbre de l'accessoire coupe-bordures à l'aide de la clé fournie.

NOTE : Une fois la vis installée adéquatement, la tête de vis doit reposer complètement sur la pièce coulée. Si tel n'est pas le cas, la vis n'est pas fixée correctement.

- Serrer solidement en tournant la vis du carter d'engrenage afin de fixer ce dernier à l'arbre.

NOTE : Une fois serré solidement, l'arbre ne peut plus être tourné.

ASSEMBLAGE

RACCORDEMENT DU BLOC MOTEUR À L'ACCESSOIRE COUPE-BORDURES

Voir la figure 3.

AVERTISSEMENT :

Ne jamais installer ou ajuster un accessoire lorsque le moteur tourne. Ceci pourrait causer des blessures graves.

L'accessoire coupe-bordures se raccorde au bloc-moteur à l'aide d'un dispositif de couplage.

- Débrancher le fil de la bougie ou débrancher de la prise secteur.
- Retirer le capuchon de suspension de l'accessoire
- Desserrer le bouton du coupleur de l'arbre du bloc moteur.
- Appuyer sur le bouton se trouvant sur l'accessoire coupe-bordures. Aligner le bouton sur la rainure guide du bloc moteur et emboîter les deux arbres. Tourner l'arbre de l'accessoire jusqu'à ce que le bouton de verrouillage s'engage dans le trou de positionnement.

NOTE : Si les boutons ne s'engagent pas complètement dans les trous de positionnement, les arbres ne sont pas solidement maintenus l'un dans l'autre. Tourner légèrement les arbres dans les deux sens jusqu'à ce que le bouton s'engage complètement.

- Serrer le bouton fermement.

AVERTISSEMENT :

S'assurer que le bouton est bien serré avant d'utiliser l'outil. Vérifier de temps à autre pour éviter le risque de blessures graves.

RETRAIT DE L'ACCESSOIRE DU BLOC MOTEUR

- Arrêter le coupe-bordures et débrancher le fil de la bougie ou débrancher de la prise secteur.
- Desserrer le bouton.
- Enfoncer le bouton et tourner les arbres pour retirer et séparer les extrémités.

UTILISATION

AVERTISSEMENT :

Ne pas laisser la familiarité avec le produit faire oublier la prudence. Ne pas oublier qu'une fraction de seconde d'inattention peut entraîner des blessures graves.

AVERTISSEMENT :

Toujours porter une protection oculaire avec écrans latéraux certifiée conforme à la norme ANSI Z87.1, avec protection auditive. Si cette précaution n'est pas prise, des objets peuvent être projetés dans les yeux et d'autres lésions graves.

AVERTISSEMENT :

Ne pas utiliser d'outils ou accessoires non recommandés par le fabricant de ce produit. L'utilisation de pièces et accessoires non recommandés peut entraîner des blessures graves.

APPLICATIONS

Cet produit peut être utilisé pour les applications ci-dessous :

- Tailler rapidement les bordures d'allées, de trottoirs, massifs de fleurs et autres endroits similaires.

UTILISATION DE L'ACCESSOIRE COUPE-BORDURES

Voir la figure 4.

Pour utiliser l'accessoire coupe-bordures, tenir l'appareil avec la main droite sur la poignée arrière et la main gauche sur la poignée avant. Tenir fermement les deux poignées pendant le fonctionnement. La coupe-bordures doit être tenue dans une position confortable, la poignée arrière se trouvant à peu près à hauteur de la hanche.

NOTE : Lorsqu'il est utilisé avec un ensemble moteur à essence, toujours faire fonctionner l'outil à pleine puissance. Une opération de coupe prolongée à une puissance partielle peut entraîner une fuite d'huile du silencieux.

POUR RÉGLER LA PROFONDEUR DE COUPE

Voir les figures 5 et 6.

- Arrêter le coupe-bordures et débrancher le fil de la bougie ou débrancher de la prise secteur.
- Desserrer le bouton de réglage et déplacer le bras de la roulette vers le haut pour augmenter la profondeur et vers le bas pour la réduire.
- Une fois le réglage terminé, bien serrer le bouton de réglage.
- Rebrancher le fil de la bougie ou rebrancher sur la prise secteur et mettre l'outil en marche.

NOTE : Régler initialement la profondeur de coupe entre 13 à 25 mm (1/2 po à 1 po). Faire une coupe peu profonde pour tester la profondeur de coupe. Si celle-ci doit être modifiée, le faire progressivement jusqu'à ce que la profondeur voulue soit atteinte.

UTILISATION

CONSEILS D'UTILISATION

- Le coupe-bordures permet d'effectuer la finition des trottoirs, allées et massifs de fleurs, terre-pleins et autres endroits semblables.
- À l'aide de la flèche de guidage placée sur le protège-lame, aligner la lame avec le bord de la surface à finir.
- Couper à une vitesse régulière. Si la lame se met à peiner, c'est que la vitesse de travail est trop rapide; il faut la réduire. Ne pas forcer la lame dans la terre.

- Un léger contact de la lame contre le bord du trottoir, le terre-plein, etc., est acceptable et n'abîmera pas le coupe-bordures.
- Le meilleur aspect est obtenu lorsque l'herbe est sèche. Éviter de travailler sur un sol humide ou de l'herbe mouillée, car le protège-lame pourrait s'encrasser et produire une bordure irrégulière. Si le protège-lame s'encrasse, arrêter le moteur, débrancher le fil de la bougie et retirer les débris du protège-lame.

ENTRETIEN

AVERTISSEMENT :

Utiliser exclusivement des pièces d'origine pour les réparations. L'usage de toute autre pièce pourrait créer une situation dangereuse ou endommager l'outil.

AVERTISSEMENT :

Toujours porter une protection oculaire avec écrans latéraux certifiée conforme à la norme ANSI Z87.1, avec protection auditive. Si cette précaution n'est pas prise, des objets peuvent être projetés dans les yeux et d'autres lésions graves.

AVERTISSEMENT :

Avant d'inspecter, nettoyer ou entretenir l'équipement, couper le moteur, attendre que toutes les pièces en mouvement s'arrêtent, déconnecter le fil de la bougie et l'écarter de la bougie, ou débrancher de la prise secteur. Le non-respect de ces instructions peut entraîner des blessures graves ou des dégâts matériels.

ENTRETIEN GÉNÉRAL

Éviter d'utiliser des solvants pour le nettoyage des pièces en plastique. La plupart des matières plastiques peuvent être endommagées par divers types de solvants du commerce. Utiliser un chiffon propre pour éliminer la saleté, la poussière, l'huile, la graisse, etc.

AVERTISSEMENT :

Ne jamais laisser de liquides tels que le fluide de freins, l'essence, les produits à base de pétrole, les huiles pénétrantes, etc., entrer en contact avec les pièces en plastique. Les produits chimiques peuvent endommager, affaiblir ou détruire le plastique, ce qui peut entraîner des blessures graves.

Les réglages et réparations décrits ci-dessous peuvent bien souvent être effectués par l'utilisateur. Les autres réparations doivent être confiées à un centre de réparations agréé.

REPLACEMENT DE LES LAME

Voir les figures 7 à 9.

Remplacer la lame lorsqu'elle est usée jusqu'au trou de l'indicateur.

- Arrêter le moteur et débrancher le fil de la bougie ou débrancher de la prise secteur.
- Aligner les encoches de la rondelle de flasque, du carter d'engrenage et du flasque, puis placer la clavette de blocage dans les trois encoches pour bloquer l'ensemble en place.
- À l'aide d'une clé à douille de 1/2 po, desserrer l'écrou de la lame en tournant dans le sens des aiguilles d'une montre.
- Retirer la lame utilisée de son axe.
- Enlever les débris de l'axe et des rondelles de flasque.
- Centrer la nouvelle lame sur la rondelle de flasque, en veillant à ce qu'elle soit bien à plat.
- Installer la rondelle bombée dans le trou en conservant un écart avec la surface de la lame.
- Mettre l'écrou de la lame en place sur l'axe.
- À l'aide d'une clé à douille de 13 mm (1/2 po), serrer l'écrou de la lame sur l'axe en tournant dans le sens inverse des aiguilles d'une montre.
- Cette pièce de rechange peut être obtenue chez le détaillant qui a vendu l'outil ou en appelant le 1-800-860-4050.

NOTE : Avant chaque utilisation, toujours s'assurer que la e est correctement installée et solidement assujettie.

INSTALLATION DE L'ANNEAU DE SUSPENSION

Voir la figure 10.

Il existe deux façons de suspendre l'accessoire pour le remisage.

- Pour installer l'anneau de suspension, appuyer sur le bouton et emboîter le capuchon sur l'arbre d'extrémité. Tourner légèrement le capuchon dans un sens et l'autre pour enclencher le bouton.
- Le trou secondaire de l'arbre d'accessoire peut également être utilisé pour suspendre l'accessoire.

RANGEMENT DE L'ACCESSOIRE

- Ranger l'accessoire à l'intérieur dans un endroit sec, bien aéré et inaccessible aux enfants.
- La tenir à l'écart de produits corrosifs, tels que les produits chimiques de jardinage et le sel de dégivrage.

GARANTIE

ÉNONCÉ DE LA GARANTIE LIMITÉE

Techtronic Industries North America, Inc., garantit à l'acheteur original que ce produit RYOBI® est exempt de tous vices de matériaux ou de fabrication et s'engage à réparer ou remplacer gratuitement, à son choix, tout produit s'avérant défectueux au cours des périodes indiquées ci-dessous, à compter de la date d'achat.

- Trois ans sur les produits utilisés par des particuliers ;
- 90 jours sur les produits utilisés à toutes autres fins, telles que les travaux commerciaux et la location.

Cette garantie n'est offerte qu'à l'acheteur original et entre en vigueur à la date de l'achat original.

Toute pièce de ce produit jugée, après évaluation raisonnable par Techtronic Industries North America, Inc., comme présentant des vices de matériaux ou de fabrication, sera réparée ou remplacée, sans facturation pour pièces ou main d'oeuvre par un centre de réparations agréé pour produits d'extérieur de marque RYOBI® (centre de réparations Ryobi agréé).

Le produit, y compris toutes les pièces défectueuses devront être retournés à un centre de réparations Ryobi agréé, avant expiration de la période de garantie. Les frais d'expédition au centre de réparations pour les travaux sous garantie et de retour au propriétaire du produit seront assumés par le propriétaire. En ce qui concerne les réclamations en garantie, la responsabilité Techtronic Industries North America, Inc., se limitera à la réparation ou au remplacement des produits défectueux et aucune revendication de rupture de garantie ne pourra causer l'annulation ou la résiliation du contrat de vente d'un produit d'extérieur RYOBI® quel qu'il soit. Une preuve d'achat sera exigée par le centre de réparation, afin de valider toute réclamation au titre de la garantie. Toutes les réparations sous garantie devront être effectuées par un centre de réparations agréé.

La garantie sur tout produit d'extérieur RYOBI® utilisé pour la location, des travaux commerciaux ou tout autre usage lucratif, sera limitée à quatre-vingt-dix (90) jours, à compter de la date d'achat au détail original.

Cette garantie ne couvre pas les produits ayant fait l'objet d'un usage abusif ou négligent, d'un manque d'entretien, ayant été impliqués dans un accident ou employé de façon contraire aux instructions du manuel d'utilisation. Cette garantie ne couvre ni les dommages aux produits résultant d'un manque d'entretien, ni les produits qui ont été altérés ou modifiés. La garantie exclut les réparations rendues nécessaires par l'usure normale ou l'utilisation de pièces et accessoires incompatibles avec le produit d'extérieur RYOBI® ou nuisibles à son bon fonctionnement, ses performances ou sa durabilité. En outre, cette garanti exclut :

A. Les réglages – Bougies, carburateur, réglages du carburateur, allumage, filtres

B. Les articles consommables – Boutons d'avance par choc, bobines externes, lignes de coupe, bobines internes, poulies et cordons de lanceur, courroies d'entraînement, dents, rondelles en feutre, axes d'attelage, lames de paillage, ventilateur de coupe-bordures, tubes de soufflage et d'aspiration, sacs à débris, guides, chaînes de scie

Techtronic Industries North America, Inc., se réserve le droit d'apporter des modifications ou améliorations à tout produit extérieur RYOBI®, sans obligation de modifier les produits fabriqués antérieurement.

LA DURÉE DE TOUTES LES GARANTIES IMPLICITES NE SAURAIT EN AUCUN CAS EXCÉDER LA PÉRIODE DE GARANTIE DÉCLARÉE. PAR CONSÉQUENT, TOUTES LES GARANTIES IMPLICITES, Y COMPRIS LES GARANTIES DE VALEUR MARCHANDE OU D'ADÉQUATION À UN USAGE PARTICULIER OU AUTRES SERONT INVALIDÉES À L'EXPIRATION DE LA PÉRIODE DE GARANTIE APPROPRIÉE DE TROIS ANS OU QUATRE-VINGT-DIX JOURS. LES OBLIGATIONS DE TECHTRONIC INDUSTRIES NORTH AMERICA, INC., DANS LE CADRE DE CETTE GARANTIE SE LIMITENT EXCLUSIVEMENT À LA RÉPARATION OU AU REMPLACEMENT DES PIÈCES DÉFECTUEUSES ET TECHTRONIC INDUSTRIES NORTH AMERICA, INC. N'ASSUME OU N'AUTORISE QUICONQUE À ASSUMER QUELQUE AUTRE OBLIGATION QUE CE SOIT. CERTAINS ÉTATS ET PROVINCES NE PERMETTANT PAS DE LIMITATION DE DURÉE DES GARANTIES IMPLICITES, LES RESTRICTIONS CI-DESSOUS PEUVENT NE PAS ÊTRE APPLICABLES. TECHTRONIC INDUSTRIES NORTH AMERICA, INC., DÉCLINE TOUTE RESPONSABILITÉ EN CE QUI CONCERNE LES DOMMAGES DIRECTS, INDIRECTS OU AUTRES, Y COMPRIS, MAIS SANS S'Y LIMITER, LES FRAIS DE RETOUR DE PRODUITS À UN CENTRE DE RÉPARATION RYOBI AGRÉÉ ET DE RENVOI AU PROPRIÉTAIRE, DE DÉPLACEMENT D'UN TECHNICIEN, DE TÉLÉPHONE OU TÉLÉGRAMME, DE LOCATION D'UN PRODUIT SIMILAIRE PENDANT LA DURÉE DES RÉPARATIONS SOUS GARANTIE, DE DÉPLACEMENT, DE PERTES OU DOMMAGES À DES BIENS PERSONNELS, DE MANQUE À GAGNER, DE PERTE D'USAGE DU PRODUIT, DE PERTE DE TEMPS OU DE DÉRANGEMENT. CERTAINS ÉTATS ET PROVINCES NE PERMETTANT L'EXCLUSION OU LA LIMITATION DES DOMMAGES DIRECTS OU INDIRECTS, LES RESTRICTIONS CI-DESSOUS PEUVENT NE PAS ÊTRE APPLICABLES.

Cette garantie donne au consommateur des droits spécifiques, et celui-ci peut bénéficier d'autres droits, qui varient selon les états ou provinces.

Cette garantie couvre tous les produits d'extérieur RYOBI® fabriqués par Techtronic Industries North America, Inc., vendus aux États-Unis et au Canada.

Pour obtenir l'adresse du centre de réparations Ryobi agréé le plus proche, appeler le 1-800-860-4050.

REGLAS DE SEGURIDAD GENERALES

ADVERTENCIA:


Lea y comprenda todas las instrucciones. El incumplimiento de las instrucciones señaladas abajo puede causar descargas eléctricas, incendios y lesiones serias.

GUARDE ESTAS INSTRUCCIONES

- Lea detenidamente estas instrucciones y las instrucciones para su cabezal motor antes de utilizar el accesorio de sopladora.
- Familiarícese con la herramienta. Lea y comprenda el manual del operador y observe las advertencias y etiquetas de instrucciones adheridas a la herramienta.
- No permita que utilicen esta unidad niños ni personas carentes de la debida instrucción para su manejo.
- Cuando utilice este producto, siempre póngase protección ocular con protección lateral con la marca de cumplimiento de la norma ANSI Z87.1, junto con protección auditiva.
- Póngase pantalones, botas y guantes gruesos. No se ponga ropa holgada, pantalones cortos, joyería de ningún tipo, sandalias o ni ande descalzo.
- Recójase el cabello si lo tiene largo, de manera que le quede arriba de los hombros para evitar que se enrede en las piezas en movimiento.
- Mantenga a todos los circunstantes, niños y animales por lo menos a 15 m (50 pies) de distancia.
- Permanezca alerta, preste atención a lo que esté haciendo, y aplique el sentido común al utilizar herramientas eléctricas. No utilice la herramienta si está cansado o se encuentra bajo los efectos de alguna droga, alcohol o medicamento. Un momento de inatención al utilizar una herramienta eléctrica puede causar lesiones corporales serias.
- No utilice este producto si no hay luz suficiente.
- No estire el cuerpo para alcanzar mayor distancia. Mantenga una postura firme y buen equilibrio en todo momento. Una postura firme y un buen equilibrio permiten un mejor control de la herramienta en situaciones inesperadas.
- Mantenga todas las partes del cuerpo alejadas de toda pieza móvil.
- Inspeccione la unidad antes de cada uso para verificar que no haya pernos sueltos no partes dañadas o faltantes. Efectúe las correcciones necesarias antes de utilizar el accesorio del soplador. La inobservancia de esta advertencia puede causar lesiones serias.
- Sólo utilice piezas de repuesto idénticas y accesorios del fabricante original. El empleo de piezas diferentes puede causar un peligro o dañar el producto.
- En ninguna circunstancia, use accesorio o accesorio alguno en este producto, que no se haya suministrado con el producto mismo, o que no esté identificado como apropiado para el uso con este producto en el manual del operador.
- Evite los entornos peligrosos de trabajo. No use el accesorio en lugares húmedos o mojados. No lo use en la lluvia.
- Utilice el accesorio adecuado para la tarea. No utilice este producto para ninguna función diferente de las especificadas.

- No toque las zonas alrededor del silenciador o cilindro del cabezal del motor a gasolina. Estas piezas se calientan durante el funcionamiento. El contacto con superficies calientes puede causar posibles lesiones graves.
- Siempre apague el motor y desconecte el cable de la bujía o desconecte la unidad del suministro de corriente antes de efectuar cualquier tarea de ajuste o reparación.

CUANDO UTILIZA UN CABEZAL MOTOR ELÉCTRICO:

- No deje el aparato mientras esté enchufado. Desenchúfelo de la toma de corriente cuando no se utiliza y antes de darle servicio.
- No permita que se use este artefacto como un juguete. Es necesario que preste mucha atención si se lo utiliza cerca de niños.
- Solo utilice el producto como se describe en este manual. Utilice solamente accesorios recomendados por el fabricante.
- No lo utilice si está dañado el cordón o el enchufe. Si el artefacto no está funcionando como debería, si se ha caído, dañado o mojado diríjase al centro de servicios.
- No tire del cordón ni lo acarree tomándolo por este, ni utilice el cordón como mango, ni cierre una puerta en el cordón, ni tire del cordón alrededor de bordes o esquinas afilados. No pase el aparato sobre el cordón. Mantenga el cordón alejado de las superficies calientes.
- No lo desenchufe tirando del cordón. Para desenchufarlo, sujete el enchufe, no el cordón.
- No manipule el enchufe o el aparato con las manos mojadas.
- No coloque objetos en los orificios. No utilice la unidad con orificios bloqueados, manténgala libre de polvo, hilachas, cabellos y todo aquello que pueda disminuir el flujo de aire.
- Mantenga el cabello, la ropa holgada, los dedos y todas las partes del cuerpo alejados de las aberturas y piezas móviles de la unidad.
- Apague los controles antes de desconectar la unidad.
- Este aparato se proporciona con doble aislamiento. Utilice solamente piezas de repuesto idénticas. Consulte las Instrucciones para el mantenimiento de aparatos con doble aislamiento.
- **MANTENIMIENTO DE APARATOS CON DOBLE AISLAMIENTO.** Un aparato con doble aislamiento está marcado con una o más de las siguientes leyendas: Las palabras "AISLAMIENTO DOBLE" o "DOBLE AISLAMIENTO" o el símbolo de doble aislamiento  (un cuadrado dentro de un cuadrado). En un aparato con doble aislamiento, se proporcionan dos sistemas de aislamiento en lugar de una conexión a tierra. Ningún medio de conexión a tierra se proporciona en un aparato con doble aislamiento, ni debe agregarse al aparato un medio de conexión a tierra. El mantenimiento de un aparato con doble aislamiento requiere extremo cuidado y conocimiento del sistema, y solo debe realizarlo personal de servicio calificado. Las piezas de repuesto para un aparato con doble aislamiento deben ser idénticas a las piezas que reemplazan.

REGLAS DE SEGURIDAD ESPECÍFICAS




- Despeje el área de trabajo cada vez antes de utilizar la herramienta. Retire todos los objetos como piedras, vidrio roto, clavos, alambre o cuerda que puedan salir disparados o enredarse en la cuchilla de la recortadora de bordes.
- Asegúrese de que todas las protecciones estén firmemente instaladas y de forma correcta.
- Si la cuchilla está desafilada o desgastada, cámbiela; no intente afilarla.
- Use esta recortadora de bordes a lo largo de aceras, caminos de entrada, macizos de flores y áreas similares. No la use para ningún otro propósito.
- Familiarícese completamente con todos los controles. Aprenda la forma de apagar la unidad y de desactivar los controles con rapidez.
- No utilice la recortar de bordes en la lluvia en superficies de grava ni cerca de las mismas.
- Familiarícese con el área donde está recortando bordes. Esté consciente del desnivel de las aceras, de todo agujero existente en el terreno y de toda condición peligrosa similar (ejemplo: alambre o cable, segmentos de los cuales pueden desprenderse y convertirse en peligrosos proyectiles). En terreno áspero siempre empuje lentamente el accesorio para recortar bordes.
- No intente retirar material cortado ni sujetar material por cortar mientras esté funcionando el motor o esté girando la cuchilla de corte.
- Mantenga los manos y los pies del alejados área de corte.
- Siempre mantenga la mano derecha en el mango trasero y la mano izquierda en el mango delantero cuando esté girando la cuchilla.
- La hoja de corte puede causar lesiones en su giro de inercia después de apagar el motor o de soltar el gatillo del acelerador. Mantenga un control adecuado de la herramienta hasta que se detenga por completo la hoja de corte.
- Verifique que la tuerca de la cuchilla esté ajustada antes de utilizar el accesorio.
- Si no se monta la unidad correctamente, se puede producir una situación peligrosa.
- Nunca debe pararse ni colocar ninguna parte de su cuerpo en la línea de corte de la cuchilla para cortar bordes.
- Si la recortadora bordes toca cualquier objeto extraño:
 - a) Apague la recortadora de bordes y desconecte el cable de la bujía o desconecte la unidad del suministro de corriente.
 - b) Inspeccione el accesorio para recortar bordes para ver si está dañado.
 - c) Corrija todo daño presente antes de utilizar el accesorio para cortar bordes. La inobservancia de esta advertencia puede causar lesiones corporales serias.
- Antes de quitar una obstrucción atorada o atascada en la hoja, instalar un accesorio o realizar cualquier ajuste, apague siempre el motor y retire el cable de la bujía o desconecte la unidad del suministro de corriente.
- Guarde el aparato que no se están usando en el interior – Cuando no esté en uso, se debe guardar el producto en el interior, en un lugar seco, alto o bajo llave – fuera del alcance de los niños.
- Guarde estas instrucciones. Consúltelas con frecuencia y empléelas para instruir a otras personas que puedan utilizar esta herramienta. Si presta a alguien esta herramienta, facilítele también las instrucciones con el fin de evitar un uso indebido del producto y posibles lesiones.

NOTA: VEA LA MANUAL DEL OPERADOR DE CABEZAL DE MOTOR PARA REGLAS DE SEGURIDAD ESPECÍFICAS ADICIONALES.








GUARDE ESTAS INSTRUCCIONES

SÍMBOLOS

Las siguientes palabras de señalización y sus significados tienen el objeto de explicar los niveles de riesgo relacionados con este producto.

SÍMBOLO	SEÑAL	SIGNIFICADO
	PELIGRO:	Indica una situación peligrosa inminente, la cual, si no se evita, causará la muerte o lesiones serias.
	ADVERTENCIA:	Indica una situación peligrosa posible, la cual, si no se evita, podría causar la muerte o lesiones serias.
	PRECAUCIÓN:	Indica una situación potencialmente peligrosa la cual, si no se evita, puede causar lesiones leves o moderadas.
	PRECAUCIÓN:	(Sin el símbolo de alerta de seguridad) Indica una situación que puede producir daños materiales.

Es posible que se empleen en este producto algunos de los siguientes símbolos. Le suplicamos estudiarlos y aprender su significado para mayor seguridad al manejar este producto.

SÍMBOLO	NOMBRE	EXPLICACIÓN
	Símbolo de alerta de seguridad	Precauciones para su seguridad.
	Lea el manual del operador	Para reducir el riesgo de lesiones, el usuario debe leer y comprender el manual del operador antes de usar este producto.
	Póngase protección para los ojos y los oídos	Cuando utilice este producto, siempre póngase protección ocular con protección lateral con la marca de cumplimiento de las normas ANSI Z87.1, así como protección para los oídos.
	Mantenga alejadas a las personas presentes	Mantenga a los circunstantes a una distancia mínima de 15 m (50 pies).
	Rebote	Cualquier objeto lanzado puede rebotar y producir lesiones personales o daños físicos.
	Hoja Afilada	Peligro – Para evitar una lesión grave, no toque la hoja que corta la cuerda.
	Símbolo de no acercar las manos	Si no mantiene las manos alejadas de la hoja de corte, se causará serias lesiones corporales.

CARACTERÍSTICAS

ESPECIFICACIONES DEL PRODUCTO

Peso 1,8 kg (4 lb)
Longitud de la cuchilla228,6 mm (9 pulg.)
Profundidad del recorte.....Adjustable entre 13 mm a 70 mm (1/2 pulg. un 2-3/4 pulg.)

FAMILIARÍCESE CON EL ACCESORIO DE SOPLADOR

Vea la figura 1.

Para usar este producto con la debida seguridad se debe comprender la información indicada en la herramienta misma y en este manual, y se debe comprender también el trabajo que intenta realizar. Antes de usar este producto, familiarícese con todas las características de funcionamiento y normas de seguridad del mismo.

ARMADO

DESEMPAQUETADO

Este producto requiere armarse.

- Retire cuidadosamente los artículos de la caja. Asegúrese de que estén presentes todos los artículos enumerados en la lista de empaquetado.

ADVERTENCIA:

No utilice este producto si alguna pieza incluida en la Lista de empaquetado ya está ensamblada al producto cuando lo desempaqueta. El fabricante no ensambla las piezas de esta lista en el producto. Éstas deben ser instaladas por el usuario. El uso de un producto que puede haber sido ensamblado de forma inadecuada podría causar lesiones personales graves.

- Inspeccione cuidadosamente el producto para asegurarse de que no haya sufrido roturas o daños durante el envío.
- No deseche el material de empaquetado hasta que haya inspeccionado cuidadosamente la herramienta y la haya utilizado satisfactoriamente.
- Si hay piezas dañadas o faltantes, le suplicamos llamar al 1-800-860-4050, donde le brindaremos asistencia.

LISTA DE EMPAQUETADO

Cabeza de la recortadora de bordes
Eje del accesorio de para recortar bordes
Pasador de retención
Llave hexagonal
Manual del operador

ADVERTENCIA:

Si falta o está dañada alguna pieza, no utilice este producto sin haber reemplazado la pieza. Usar este producto con partes dañadas o faltantes puede causar lesiones serias al operador.

ADVERTENCIA:

No intente modificar este producto ni hacer accesorios no recomendados para la misma. Cualquier alteración o modificación constituye maltrato el cual puede causar una condición peligrosa, y como consecuencia posibles lesiones corporales serias.

ADVERTENCIA:

No conecte la unidad al cabezal motor antes de terminar de armarla. De lo contrario la unidad puede ponerse en marcha accidentalmente, con el consiguiente riesgo de lesiones serias.

CÓMO CONECTAR EL ACCESORIO PARA CORTAR BORDES AL EJE DEL ACCESORIO

Vea la figura 2.

Este producto requiere que el montaje del cabezal de la recortadora de bordes con el eje del accesorio se realice por única vez.

- Retire la tapa del extremo de goma del eje del accesorio para cortar bordes antes de instalarlo.
- Instale el eje del accesorio para cortar bordes en la abertura del cabeza de engranajes de manera que el agujero ubicado en la parte superior del eje del accesorio esté alineado con el tornillo del eje. Asegúrese de que las flechas que se encuentran en el cabezal de engranajes y en el eje del accesorio para cortar bordes coincidan.
- Ajuste el tornillo del eje en el agujero ubicado en el eje del accesorio para cortar bordes utilizando la llave suministrada.

NOTA: Para instalarlo correctamente, la cabeza del tornillo debe asentarse por completo sobre la pieza. De no ser así, el tornillo no está instalado correctamente.

- Ajústelo firmemente haciendo girar el tornillo del cabezal de engranajes para fijar este cabezal al eje.

NOTA: Una vez que esté totalmente asegurado, el eje no girará.

ARMADO

ACOPLAMIENTO DEL CABEZAL DE POTENCIA AL ACCESORIO PARA RECORTAR BORDES

Vea la figura 3.

ADVERTENCIA:

Nunca una ni ajuste ningún accesorio mientras esté funcionando el cabezal motor. Si no se detiene el motor podría causar lesiones personales graves.

El accesorio para recortar bordes se acopla al cabezal de potencia por medio de un dispositivo acoplador.

- Desconecte el cable de la bujía o desconecte la unidad del suministro de corriente.
- Retire la tapa de suspensión del accesorio.
- Afloje la perilla en el acoplador del eje del cabezal motor.
- Oprima el botón situado en el accesorio para recortar bordes. Alinee el botón con el hueco guía situado en el acoplador del eje del cabezal motor y con un movimiento de deslizamiento una los dos ejes. Gire el accesorio para recortar de eje recto hasta que el botón se trabe en el orificio de posicionamiento.

NOTA: Si los botones no se sueltan completamente en el orificio de posicionamiento, significa que los ejes no están bien asegurados en su lugar. Gire levemente los ejes de un lado a otro hasta que el botón quede asegurado en su lugar.

- Apriete firmemente la perilla.

ADVERTENCIA:

Asegúrese de que esté bien apretada la perilla antes de utilizar el equipo. Verifique periódicamente el apriete de la misma durante el uso para evitar lesiones serias.

DESMONTAJE DEL ACCESORIO DEL CABEZAL MOTOR

- Apague el motor y desconecte el cable de la bujía o desconecte la unidad del suministro de corriente.
- Afloje la perilla.
- Oprima el botón y gire los ejes para separar los extremos de los mismos.

FUNCIONAMIENTO

ADVERTENCIA:

No permita que su familiarización con este producto le vuelva descuidado. Tenga presente que un descuido de un instante es suficiente para infligir una lesión grave.

ADVERTENCIA:

Siempre póngase protección ocular con la marca de cumplimiento de la norma ANSI Z87.1 junto con protección para los oídos. La inobservancia de esta advertencia puede permitir que los objetos lanzados hacia los ojos y otros provocarle lesiones graves.

ADVERTENCIA:

No utilice ningún accesorio o accesorio no recomendado por el fabricante de esta producto. El empleo de accesorios o accesorios no recomendados podría causar lesiones serias.

APLICACIONES

Este producto puede emplearse para los fines enumerados abajo:

- Cortado los bordes del césped de aceras, de las maneras de la entrada, macizos de flores y de las áreas similares.

FUNCIONAMIENTO CON EL ACCESORIO PARA RECORTAR BORDES

Vea la figura 4.

Al usar el accesorio para recortar bordes, sujete la unidad con la mano derecha en la asa trasera y coloque la mano izquierda en la asa frontal. Sujete firmemente la unidad con ambas manos durante la operación. Se recomienda sujetar el soplador en una posición confortable con la asa trasera a la altura de la cadera.

NOTA: Cuando se utiliza con un cabezal motor a gas, haga trabajar la unidad siempre a la máxima aceleración. Si realiza cortes a una aceleración parcial durante un tiempo prolongado, goteará aceite del silenciador.

PARA AJUSTAR LA PROFUNDIDAD DE LA CUCHILLA

Vea las figuras 5 y 6.

- Apague el motor y desconecte el cable de la bujía o desconecte la unidad del suministro de corriente.
- Para aumentar la profundidad del corte afloje la perilla de ajuste y desplace hacia arriba el brazo de la rueda, y para disminuir dicha profundidad desplácelo hacia abajo.
- Después de terminar el ajuste apriete firmemente la perilla de ajuste.
- Conecte el cable de la bujía o conecte la unidad al suministro de corriente, según corresponda.

NOTA: Inicialmente ajuste la profundidad de la cuchilla de 13 mm a 25 mm (de 1/2 pulg. a 1 pulg.). Efectúe un corte superficial para probar la profundidad de corte. Si la profundidad de corte necesita ajuste, debe efectuarse de manera progresiva hasta lograrse la profundidad deseada.

CONSEJOS DE OPERACIÓN

- La cortadora de bordes corta a lo largo de aceras, caminos de entrada, macizos de flores, bordillos y áreas similares.
- Básese en la guía de la flecha situada en la protección de la cuchilla para alinear ésta con la superficie de corte.
- Efectúe el corte a un paso estable. Si comienza a atascarse la cuchilla, significa que usted está efectuando con demasiada rapidez el corte; aminore el paso. No fuerce la cuchilla a entrar en la tierra.
- Un contacto leve de la cuchilla contra el borde de la acera, bordillo, etc., es aceptable y no se daña la cortadora de bordes.

FUNCIONAMIENTO

- Se logra el mejor aspecto cuando está seco el pasto. Evite cortar bordes en áreas donde esté húmeda la tierra o el pasto, o de lo contrario podría atascarse la protección de la cuchilla, con el consiguiente borde desigual resultante.

Si se atasca la protección de la cuchilla, apague el motor, desconecte el cable de la bujía, o desconecte la unidad del suministro de corriente y limpie todos los desechos presentes en la protección de la cuchilla.

MANTENIMIENTO



ADVERTENCIA:

Al dar servicio a la unidad, sólo utilice piezas de repuesto idénticas. El empleo de piezas diferentes puede causar un peligro o dañar el producto.



ADVERTENCIA:

Siempre póngase protección ocular con la marca de cumplimiento de la norma ANSI Z87.1 junto con protección para los oídos. La inobservancia de esta advertencia puede permitir que los objetos lanzados hacia los ojos y otros provocar lesiones graves.



ADVERTENCIA:

Antes de inspeccionar, limpiar o dar mantenimiento a la máquina, apague el motor, espere hasta que se detengan todas las piezas en movimiento, desconecte el cable de la bujía y apártelo de la bujía. El incumplimiento de estas instrucciones puede provocar lesiones personales graves o daños materiales.

MANTENIMIENTO GENERAL

Evite el empleo de solventes al limpiar piezas de plástico. La mayoría de los plásticos son susceptibles a diferentes tipos de solventes comerciales y pueden resultar dañados. Utilice paños limpios para eliminar la suciedad, el polvo, el aceite, la grasa, etc.



ADVERTENCIA:

No permita en ningún momento que fluidos para frenos, gasolina, productos a base de petróleo, aceites penetrantes, etc., lleguen a tocar las piezas de plástico. Los productos químicos pueden dañar, debilitar o destruir el plástico, lo cual puede causar lesiones serias.

A menudo, usted puede efectuar los ajustes y reparaciones descritos aquí. Para otro tipo de reparaciones, lleve la herramienta a un establecimiento de servicio autorizado.

REEMPLAZO DEL LAS CUCHILLA

Vea las figuras 7 a 9.

Reemplace las cuchillas cuando se hayan desgastado hasta llegar al orificio indicador.

- Apague el motor y desconecte el cable de la bujía, o desconecte la unidad del suministro de corriente.
- Alinee la ranura de la arandela de la brida y la de la caja de engranajes con la ranura de la brida; coloque el pasador de retención a través de las tres ranuras para asegurar todo en su lugar.
- Con una llave de tuercas de boca tubular de 13 mm (1/2 pulg.) gire hacia la derecha la tuerca de la cuchilla para aflojarla.
- Retire la cuchilla vieja del eje de la recortadora de bordes.
- Limpie la basura acumulada en el eje de la recortadora y en las arandelas de las bridas.
- Centre la cuchilla nueva en la arandela de la brida, asegurándose de dejarla bien asentada en la misma.
- Instale la arandela cóncava de manera que la cuchilla no se instale directamente sobre el agujero.
- Instale la tuerca de la cuchilla en el eje de la recortadora de bordes.
- Con una llave de tuercas de boca tubular de 13 mm (1/2 pulg.) gire hacia la izquierda la tuerca de la cuchilla en el eje de la recortadora de bordes y apriétela firmemente.
- Esta pieza de repuesto puede adquirirse en el lugar donde se compró la unidad, o llamando al 1-800-860-4050.

NOTA: Cada vez antes de usar la unidad asegúrese de que la cuchilla esté instalada correctamente y firmemente asegurada.

MONTAJE DEL COLGADOR DE ALMACENAMIENTO

Vea la figura 10.

Hay dos formas de colgar el accesorio para guardarlo.

- Para usar la tapa de suspensión, oprima el botón y coloque la tapa en el extremo del eje del accesorio. Gire levemente la tapa de un lado a otro hasta que quede asegurado en su lugar el botón.
- El orificio secundario del eje del accesorio también se puede utilizar para colgarlo.

ALMACENAMIENTO DEL ACCESORIO

- Guarde el accesorio dentro en un espacio bien ventilado inaccesible a los niños.
- Mantenga la unidad alejada de agentes corrosivos como los productos químicos para el jardín y las sales para derretir el hielo.

GARANTÍA

DECLARACIÓN DE LA GARANTÍA LIMITADA

Techtronic Industries North America, Inc. garantiza al comprador original al menudeo que este producto de la marca RYOBI® carece de defectos en los materiales y en la mano de obra, y acuerda reparar o reemplazar, a la sola discreción de Techtronic Industries North America, Inc., cualquier producto defectuoso, sin cargo alguno al comprador, dentro de los siguientes períodos de tiempo a partir de la fecha de compra.

- Tres años si los productos se emplean para uso personal, familiar o casero;
- 90 días si el producto se emplea para cualquier otro propósito, como el uso comercial o el de alquiler.

Esta garantía se otorga solamente al comprador original al menudeo, y comienza en la fecha de la compra original al menudeo.

Cualquier parte de este producto Techtronic Industries North America, Inc. que, a juicio razonable de la compañía, tenga defectos en los materiales o en la mano de obra, será reparado o reemplazado por un centro de servicio autorizado de herramientas para uso en el exterior de la marca RYOBI®, sin cargo alguno al comprador por concepto de piezas y mano de obra (Centro de Servicio Autorizado Ryobi).

El producto, incluida toda pieza defectuosa, debe enviarse a un centro de servicio autorizado Ryobi dentro del período de la garantía. El gasto de enviar el producto al centro de servicio para cualquier trabajo cubierto por la garantía, así como el gasto de devolverlo al propietario después de la reparación, correrán por cuenta del propietario. La responsabilidad de Techtronic Industries North America, Inc. con respecto a todo reclamo se limita a las reparaciones o reemplazo del producto, y ningún reclamo de incumplimiento de la garantía será causante de la cancelación o rescisión del contrato de venta de ninguna herramienta de uso en el exterior de la marca RYOBI®. En el establecimiento se requerirá el recibo de compra para respaldar cualquier reclamo al amparo de la garantía. Todo trabajo cubierto en la garantía debe ser realizado por un concesionario de servicio autorizado.

Esta garantía se limita a noventa (90) días a partir de la fecha original de la compra de cualquier herramienta de uso en el exterior de la marca RYOBI® empleada para propósitos comerciales o de alquiler, o cualquier otro propósito generador de ingresos.

Esta garantía no cubre ningún producto que haya sido sujeto a un uso indebido, maltrato, negligencia o accidente, o que haya sido utilizado de cualquier forma contraria a las instrucciones de manejo especificadas en el manual del operador del producto. Esta garantía no aplica a ningún daño en el producto que resulte de un mantenimiento indebido ni a ningún producto que haya sido alterado o modificado. La garantía no cubre ninguna reparación necesaria por el uso normal ni por el uso de piezas o accesorios que sean incompatibles con la herramienta para uso exterior de la marca RYOBI®, o afecten de forma desfavorable su funcionamiento, desempeño o durabilidad.

Además, esta garantía no cubre:

A. Afinación – Bujías, carburador, ajustes del carburador, encendido, filtros

B. Artículos sujetos a desgaste – Perillas de tope, carretes exteriores, hilos de corte, carretes interiores, poleas del arrancador, cuerdas del arrancador, correas de transmisión, aspas, arandelas de fieltro y pasadores de enganche, hojas de triturar, ventiladores de sopladoras, tubos de sopladoras y de aspiradoras, sacos y correas de aspiradoras, barras guía y cadenas de sierras

Techtronic Industries North America, Inc. se reserva el derecho a cambiar o mejorar el diseño de cualquier herramienta para uso en el exterior de la marca RYOBI® sin asumir ninguna obligación de modificar ningún producto fabricado previamente.

TODAS LAS GARANTÍAS IMPLÍCITAS ESTÁN LIMITADAS EN DURACIÓN SEGÚN EL PERÍODO DE GARANTÍA DECLARADA. POR CONSIGUIENTE, CUALQUIER GARANTÍA IMPLÍCITA, INCLUSO LAS DE COMERCIABILIDAD, IDONEIDAD PARA UN PROPÓSITO EN PARTICULAR, O DE CUALQUIER TIPO, PIERDEN TOTALMENTE SU VALIDEZ DESPUÉS DEL VENCIMIENTO DEL PERÍODO DE GARANTÍA CORRESPONDIENTE DE TRES AÑOS O NOVENTA DÍAS. DE CONFORMIDAD CON ESTA GARANTÍA, LA OBLIGACIÓN DE TECHTRONIC INDUSTRIES NORTH AMERICA, INC. SE LIMITA ESTRICTA Y EXCLUSIVAMENTE A LA REPARACIÓN O REPLAZO DE LAS PIEZAS DEFECTUOSAS, Y TECHTRONIC INDUSTRIES NORTH AMERICA, INC. NO ASUME NINGUNA OTRA OBLIGACIÓN, NI AUTORIZA A NADIE ASUMIRLA A NOMBRE DE DICHA COMPAÑÍA. ALGUNOS ESTADOS NO PERMITEN LIMITACIONES EN CUANTO A LA DURACIÓN DE UNA GARANTÍA IMPLÍCITA, POR LO CUAL ES POSIBLE QUE LA LIMITACIÓN ANTERIOR NO SE APLIQUE EN EL CASO DE USTED. TECHTRONIC INDUSTRIES NORTH AMERICA, INC. NO ASUME NINGUNA RESPONSABILIDAD POR DAÑOS DIRECTOS, INDIRECTOS O DE NINGÚN OTRO TIPO, COMO EL GASTO DE ENVIAR EL PRODUCTO A UN CENTRO DE SERVICIO AUTORIZADO RYOBI Y EL GASTO DE ENVIARLO DE ALLÍ AL PROPIETARIO, EL TIEMPO DE VIAJE DEL MECÁNICO, CARGOS TELEFÓNICOS O TELEGRÁFICOS, ALQUILER DE UN PRODUCTO SUSTITUTO DURANTE EL TIEMPO DE REALIZACIÓN DEL SERVICIO DE LA GARANTÍA, VIAJES, PÉRDIDA O DAÑOS A OBJETOS DE PROPIEDAD PERSONAL, PÉRDIDA DE INGRESOS, PÉRDIDA DEL USO DEL PRODUCTO, PÉRDIDA DE TIEMPO O INCONVENIENTES. EN ALGUNOS ESTADOS NO SE PERMITE LA EXCLUSIÓN O LIMITACIÓN DE DAÑOS DIRECTOS O INDIRECTOS, POR LO CUAL ES POSIBLE QUE LA LIMITACIÓN O EXCLUSIÓN DESCRITA ARRIBA NO SE APLIQUE EN SU CASO.

Esta garantía le confiere derechos legales específicos, y es posible que usted goce de otros derechos, los cuales pueden variar de estado a estado.

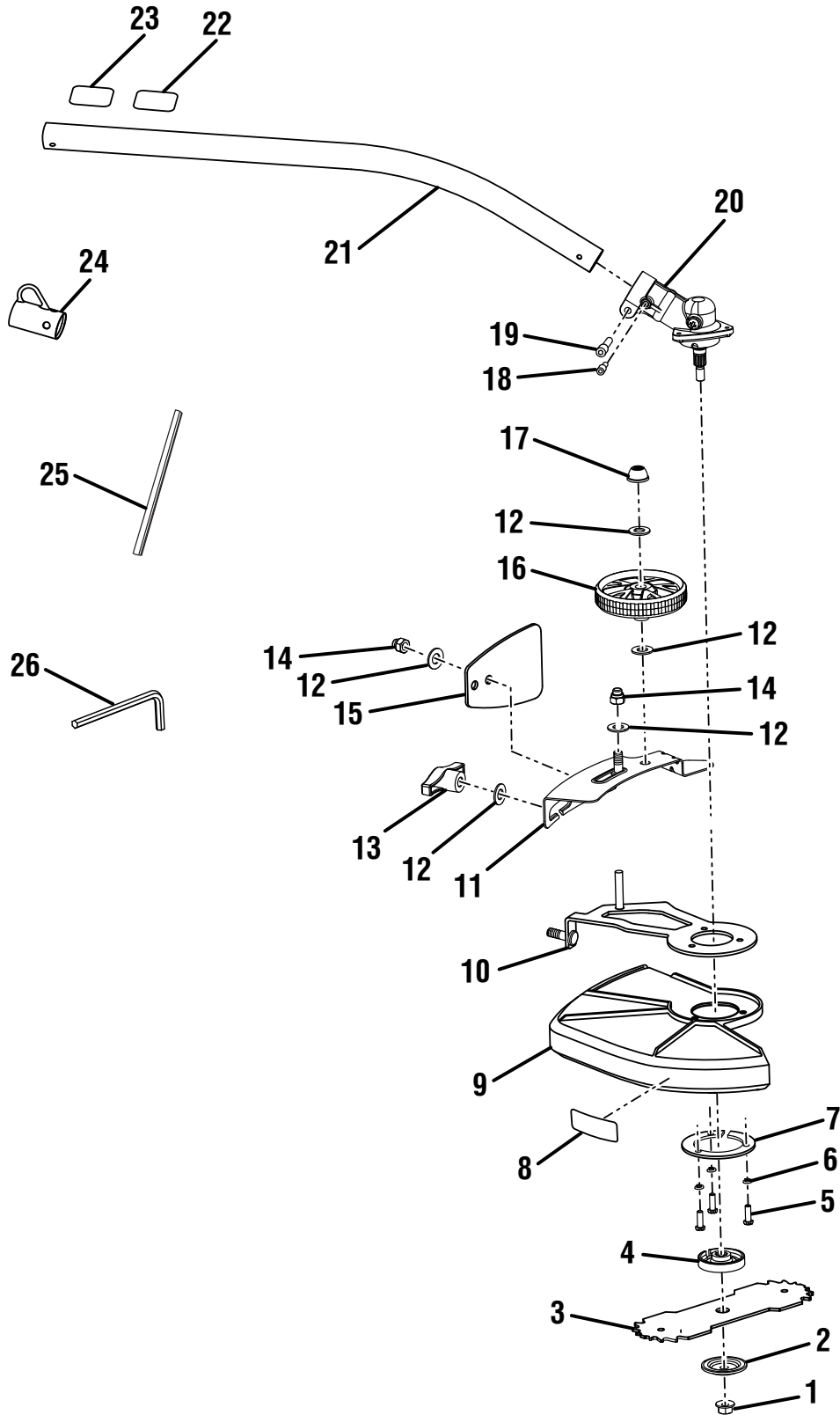
Esta garantía se aplica a todas las herramientas para uso en el exterior de la marca RYOBI® fabricadas por Techtronic Industries North America, Inc. y vendidos en Estados Unidos y Canadá.

Para encontrar el centro de servicio autorizado Ryobi más cercano a usted, llame al 1-800-860-4050.

ILLUSTRATED PARTS LIST

Liste des pièces illustrées

Lista de piezas ilustradas



ILLUSTRATED PARTS LIST

LISTE DES PIÈCES ILLUSTRÉES

LISTA DE PIEZAS ILUSTRADAS

KEY NO. Pièce Num. Núm. Ref.	PART NO. Num. Réf. Núm. Pieza	DESCRIPTION	DESCRIPTION	DESCRIPCIÓN	QTY. Qté. Cant.
1	678018001	Blade Nut (M8, LH)	Écrou de lame (M8, PG)	Tuerca de la cuchilla (M8, MI)	1
2	638017001	Cupped Washer	Rondelle bombée	Arandela cóncava	1
3	638006008	Blade	Lame	Hoja	1
4	678011004	Flange Washer	Rondelle à épaulement	Arandela de brida	1
5	660887001	*Screw (10-24 x 5/8 in. Hex Hd.)	*Vis (10-24 x 5/8 po, six pans)	*Tornillo (10-24 x 5/8 pulg., cab. hex.)	3
6	678263001	*Lock Washer (5 mm)	*Rondelle de blocage (5 mm)	*Arandela de seguridad (5 mm)	3
7	678262001	Ring Washer	Bague de rondelle	Aro arandela	1
8	940657011	Warning Decal	Étiquette d'avertissement	Etiqueta de advertencia	1
9	120530004	Blade Guard (Includes Key No. 8)	Protege-lame (incl. pièce no. 8)	Protector de la hoja (incl. num. ref 8)	1
10	310515001	Main Frame	Section Principale	Armazón Principal	1
11	310516001	Wheel Frame	Étrier de la roulette	Wheel Frame	1
12	678258001	Washer (10 mm)	*Rondelle (10 mm)	Arandela (10 mm)	5
13	308730002	Adjusting Knob with Hex Nut	Bouton de réglage avec écrou six pans	Perilla de ajuste con tuerca hex.	1
14	678259001	*Hex Nut with Nylon Cap (5/16-18)	*Ecrou hexagonal avec capuchon en nylon (5/16 - 18)	*Tuerca hex. con cabeza de nailon (5/16 - 18 pulg.)	2
15	561382002	Debris Flap	Bavette à débris	Brazo de la rueda	1
16	518665001	Guide Wheel	Roulette de guidage	Rueda guía	1
17	308483001	*Push Nut (10 mm)	*Écrou poussoir (10 mm)	*Tuerca de empuje (10 mm)	1
18	660641002	*Screw (10-24 x 5/8 in. Hex Socket Hd.)	* Vis (10-24 x 5/8 po, à tête creuse hex.)	*Tornillo (10-24 x 5/8 pulg., cabeza hueca hex.)	1
19	660642002	*Screw (1/4-20 x 1-1/4 in., Hex. Socket Hd.)	*Vis (1/4-20 x 1-1/4 po, à tête creuse hex.)	*Tornillo (10-24 x 1-1/4 pulg. cabeza hueca hex.)	1
20	308210001	Gear Head Assembly	Cabecal de engranajes	Conj. de cabezal de engranajes	1
21	120530003	Drive Shaft Assembly (Inc. key Nos. 22 and 23)	Arbre d'entraînement (incl. pièces nos. 22 et 23)	Alojamiento del eje de impulsión (incl. nums. ref 22 y 23)	1
22	940726013	Label, Logo	Autocollant de logo	Etiqueta de logotipo	1
23	940654070	Warning Label	Étiquette d'avertissement	Etiqueta de advertencia	1
24	518019002	Hanger Cap	Bouchon de suspension	Capuchón de suspensión	1
25	678020001	Holding Pin	Axe de retenue	Pasador de retención	1
26	638015003	Hex Wrench	Clé Hex.	Llave Hexagonal	1
	987000377	Operator's Manual	Manual d'utilisation	Manual del operador	

* STANDARD HARDWARE ITEM - MAY BE PURCHASED LOCALLY

* ARTÍCULO ESTÁNDAR DE FERRETERÍA PUEDE ADQUIRIRSE EN LA LOCALIDAD

* ARTICLE DE QUINCAILLERIE STANDARD EN VENTE DANS LES MAGASINS LOCAUX

NOTES / NOTAS



EXPAND-IT
ATTACHMENTS

OPERATOR'S MANUAL

MANUEL D'UTILISATION / MANUAL DEL OPERADOR

EDGER ATTACHMENT

ACCESSOIRE COUPE-BORDURES

ACCESORIO PARA RECORTAR BORDES

RY15518

CALIFORNIA PROPOSITION 65

⚠ WARNING:

This product and substances that may become airborne from its use may contain chemicals, including lead, known to the State of California to cause cancer, birth defects, or other reproductive harm.
Wash hands after handling.

PROPOSITION 65 DE LA CALIFORNIE

⚠ AVERTISSEMENT :

Ce produit ainsi que les substances rejetées dans l'air à la suite de son utilisation peuvent contenir des produits chimiques, notamment du plomb qui, selon l'État de la Californie, peuvent causer le cancer, des anomalies congénitales et d'autres dommages au système reproducteur. *Bien se laver les mains après toute manipulation.*

CALIFORNIA - PROPUESTA DE LEY NÚM. 65

⚠ ADVERTENCIA:

Este producto y sustancias que puedan llegar a ser aerotransportadas por su uso pueden contener sustancias químicas (por ejemplo, plomo) consideradas por el estado de California como causantes de cáncer, defectos de nacimiento u otras alteraciones reproductivas. *Lávese las manos después de utilizar el aparato.*

RYOBI is a registered trademark of Ryobi Limited and is used pursuant to a license granted by Ryobi Limited.

RYOBI est une marque déposée de RYOBI Limited et est utilisée en vertu d'une licence accordée par Ryobi Limited.

RYOBI es una marca registrada de Ryobi Limited y se utiliza conforme a una licencia otorgada por Ryobi Limited.

• PARTS AND SERVICE

Prior to requesting service or purchasing replacement parts, please obtain your model and serial number from the product data plate.

• **MODEL NO.** RY15518 **SERIAL NO.** _____

• HOW TO OBTAIN REPLACEMENT PARTS:

Replacement parts can be purchased online at www.ryobitools.com or by calling 1-800-860-4050. Replacement parts can also be obtained at one of our Authorized Service Centers.

• HOW TO LOCATE AN AUTHORIZED SERVICE CENTER:

Authorized Service Centers can be located online at www.ryobitools.com or by calling 1-800-860-4050.

• HOW TO OBTAIN CUSTOMER OR TECHNICAL SUPPORT:

To obtain Customer or Technical Support please contact us at 1-800-860-4050.

• • • • •

• PIÈCES ET SERVICE

Avant de faire la demande de service ou l'achat de pièces de remplacement, veuillez obtenir le numéro de série du modèle à partir de la plaque de données du produit.

• **NUMÉRO DE MODÈLE** RY15518 **NUMÉRO DE SÉRIE** _____

• COMMENT OBTENIR LES PIÈCES DE REMPLACEMENT :

Les pièces de remplacement peuvent être achetées en ligne sur le site www.ryobitools.com ou par téléphone au 1-800-860-4050. Les pièces de remplacement peuvent être obtenues à un de nos centres de service autorisés.

• COMMENT TROUVER UN CENTRE DE SERVICE AUTORISÉ :

Les centres de service autorisés peuvent être localisés en ligne au www.ryobitools.com ou en téléphonant au 1-800-860-4050.

• COMMENT OBTENIR DE L'AIDE EN CONTACTANT LE SERVICE À LA CLIENTÈLE :

Pour contacter le service à la clientèle pour une question technique ou pour tout autre renseignement, veuillez nous téléphoner au 1-800-860-4050.

• • • • •

• PIEZAS DE REPUESTO Y SERVICIO

Antes de solicitar servicio técnico o comprar piezas de repuesto, obtenga su modelo y número de serie de la placa de datos del producto.

• **NÚMERO DE MODELO** RY15518 **NÚMERO DE SERIE** _____

• CÓMO OBTENER PIEZAS DE REPUESTO:

Las piezas de repuesto se pueden comprar en nuestro sitio en la red mundial, en la dirección www.ryobitools.com o llamando al 1-800-860-4050. Las piezas de repuesto también se pueden obtener en uno de nuestros Centros de Servicio Autorizados.

• CÓMO LOCALIZAR UN CENTRO DE SERVICIO AUTORIZADO:

Puede encontrar los Centros de Servicio Autorizados visitando nuestro sitio en la red mundial, en la dirección www.ryobitools.com or by calling 1-800-860-4050.

• CÓMO OBTENER SERVICIO O ASISTENCIA TÉCNICA AL CONSUMIDOR:

Para obtener Servicio o Asistencia Técnica al Consumidor, sírvase comunicarse con nosotros llamando al 1-800-860-4050.

TECHTRONIC INDUSTRIES NORTH AMERICA, INC.

1428 Pearman Dairy Road, Anderson, SC 29625 USA
1-800-860-4050 • www.ryobitools.com